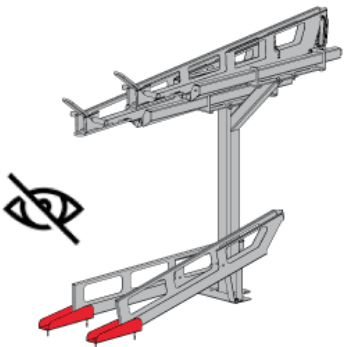




# Dero Decker

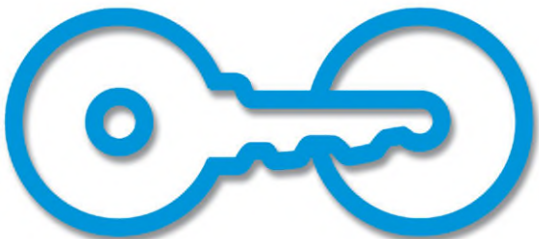


- Sturdy red handle grips
- Lift-assist trays
- Dampers for safe lowering of trays
- Spring loaded levers hold bikes firmly in place
- U-lock compatible
- Smallest footprint
- Smooth and silent operation
- Simple installation
- Low maintenance
- Specially designed fat bike trays available
- Adjustable downward resting position to accommodate different floor clearances



## ADA Cane Stops

For improved safety, 2" high, cane-detectable extensions for the lower trays are available (By request only).



**American Bicycle Security Company**

P.O. Box 7359

Ventura, CA 93006

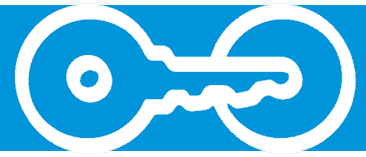
Ph: (800) 245-3723 or (805) 933-3688

Fax: (805) 933-1865

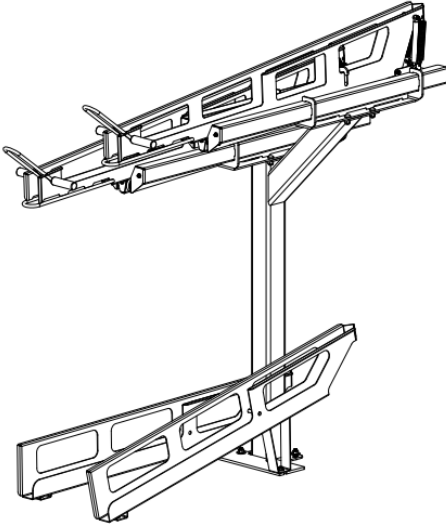
[www.ameribike.com](http://www.ameribike.com)

Email: [turtle@ameribike.com](mailto:turtle@ameribike.com)

# Dero Decker



**Ceiling Height Requirement: 106"**



- Product Dero Decker™
- Capacity Modular 2-Tiered System. ONLY available in quantities of 4. One bike per tray.
- Materials Uprights: 4" 11g square tube  
Upright base: 1/4" plate  
Cantilevers: 11g plate  
Cantilever base: 1/4" plate  
Trays: 11g plate
- Finishes Standard option: Galvanized

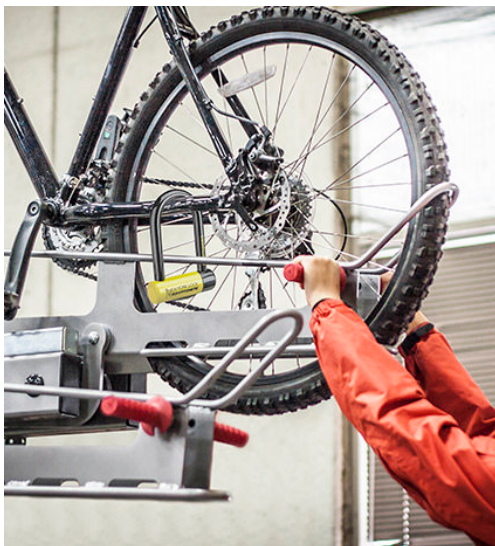


Powder Coated Available for an additional cost

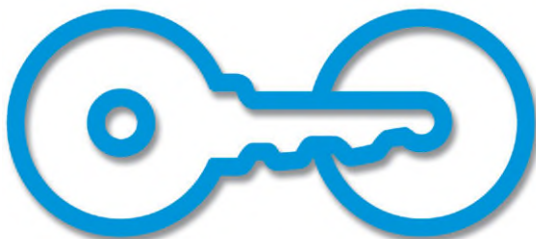
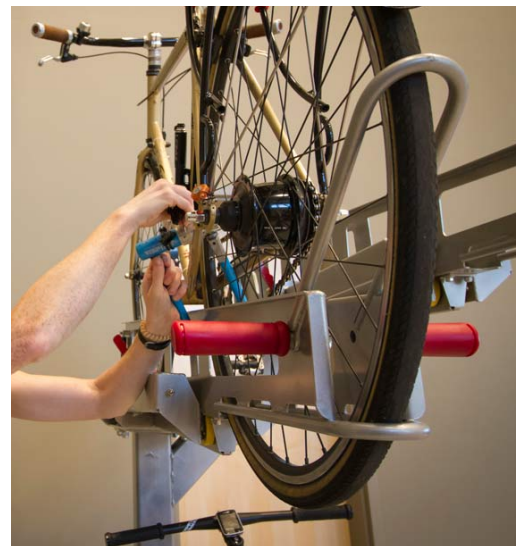
RAL 9005	Flat Black	RAL 9003	RAL 2004	RAL 1023	Bright Yellow
RAL 6016	RAL 6018	RAL 6005	RAL 5005	RAL 5015	Purple
RAL 7011	RAL 7042	RAL 9007	RAL 1001	RAL 8014	Bronze
RAL 3003	RAL 3005				

**\*ADA Cane Stops available by request only.**

Installation Methods Each upright has two 1/4" plate feet that accept 3/8" wedge anchors.



Examples of the rack in use



**American Bicycle Security Company**

P.O. Box 7359

Ventura, CA 93006

Ph: (800) 245-3723 or (805) 933-3688

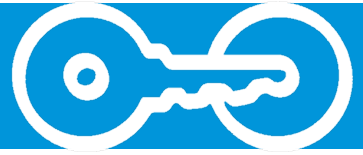
Fax: (805) 933-1865

[www.ameribike.com](http://www.ameribike.com)

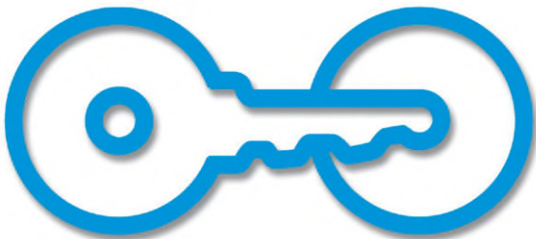
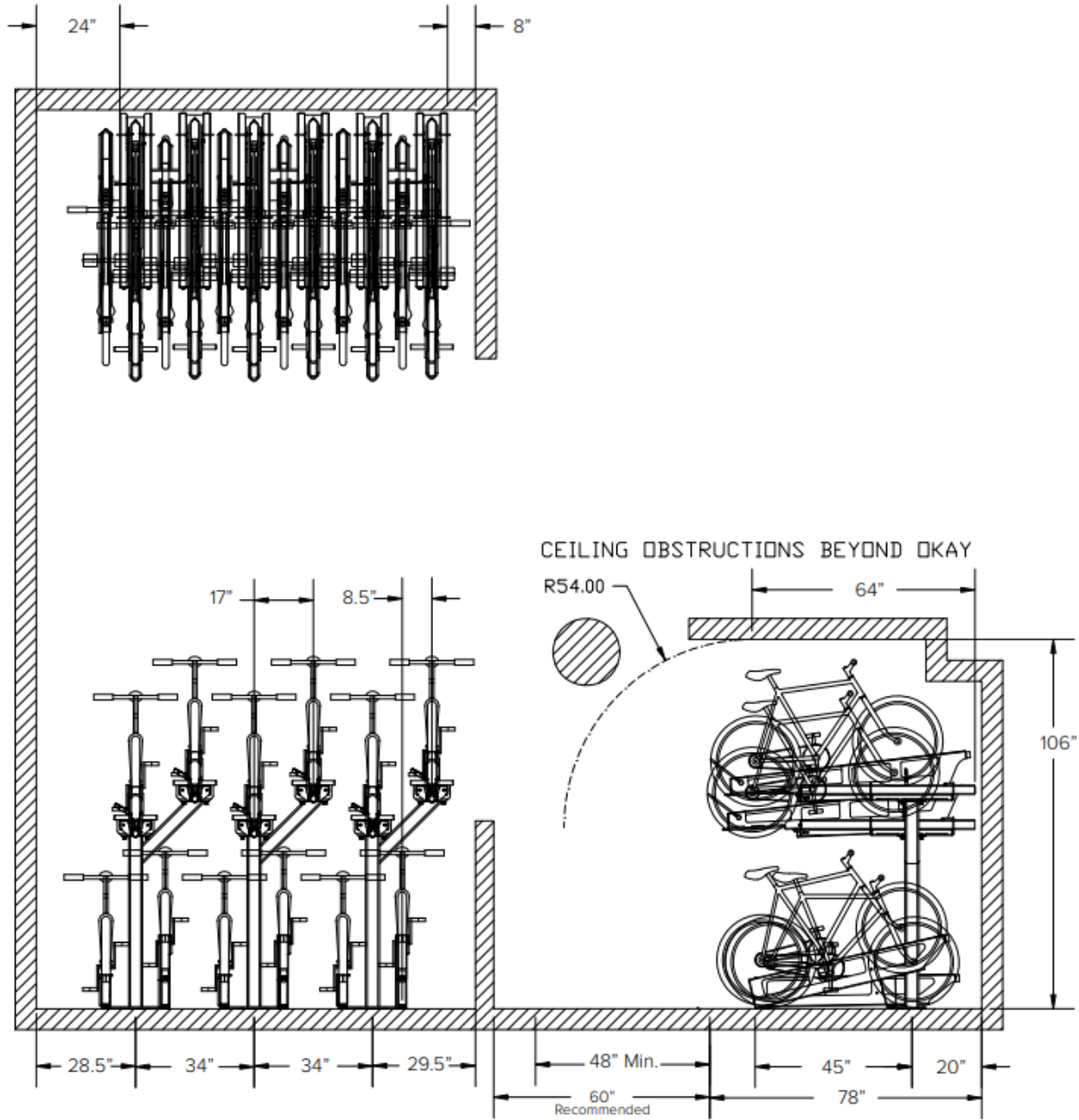
Email: [turtle@ameribike.com](mailto:turtle@ameribike.com)

# Dero Decker

## Setback Configurations



### Single Sided



**American Bicycle Security Company**

P.O. Box 7359

Ventura, CA 93006

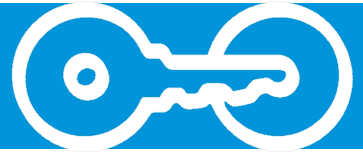
Ph: (800) 245-3723 or (805) 933-3688

Fax: (805) 933-1865

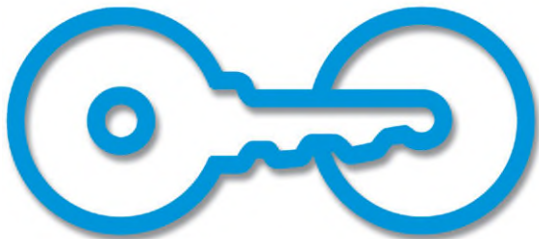
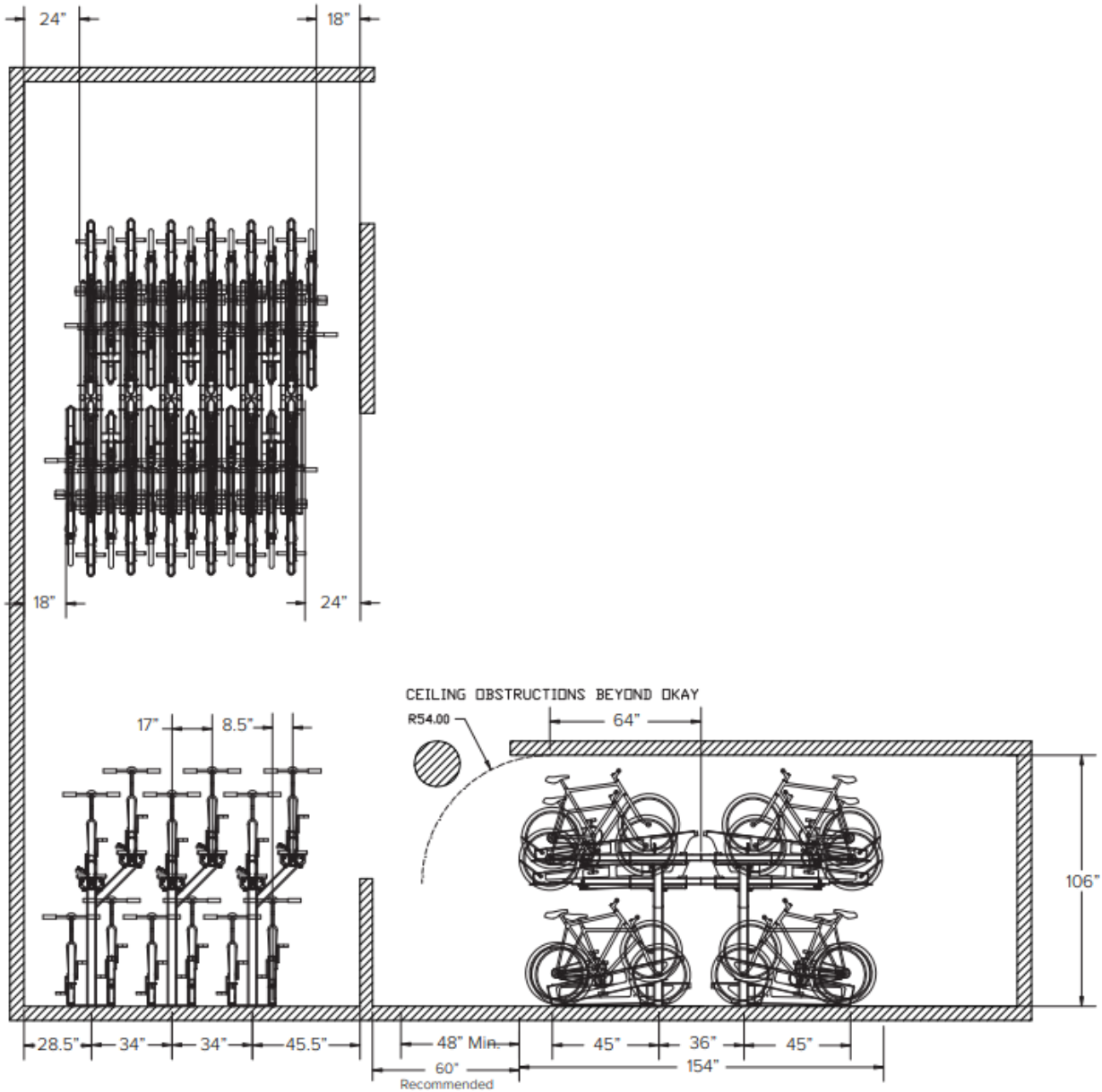
[www.ameribike.com](http://www.ameribike.com)

Email: [turtle@ameribike.com](mailto:turtle@ameribike.com)

# Dero Decker Setback Configurations



## Double Sided



**American Bicycle Security Company**

P.O. Box 7359

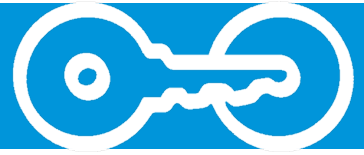
Ventura, CA 93006

Ph: (800) 245-3723 or (805) 933-3688

Fax: (805) 933-1865

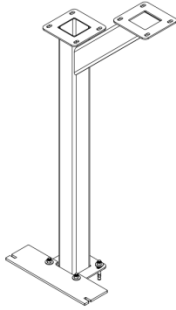
[www.ameribike.com](http://www.ameribike.com)

Email: [turtle@ameribike.com](mailto:turtle@ameribike.com)



1. Refer to setback diagrams before installation to ensure sufficient space. Installation surface must be concrete of suitable strength. If surface is not level, contact ABS representative for workable solution.

### 2



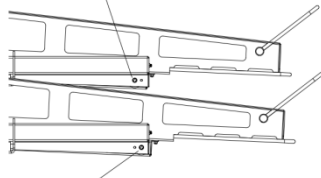
2. Place the Uprights in position and secure with (4)  $\frac{1}{2}$ " x 3.75" wedge anchors. At least 1.25" of wedge anchor threads should remain above the concrete. The Lower Tray Mount should be placed on the front side of the Upright and secured with the existing wedge anchors.

#### Tools Needed:

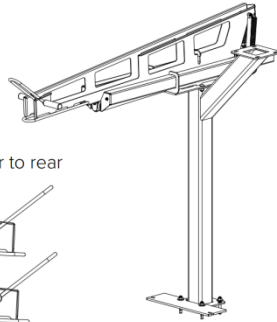
- Hammer drill
- Masonry bit, 3/8", 1/2"
- Hammer
- Socket wrench
- Sockets, 9/16", 3/4"
- Socket extension, 4-6"
- Hex wrench, 3/16"
- Tape measure
- Chalk line
- Marker
- Level

### 3

Upper assembly has roller closer to rear

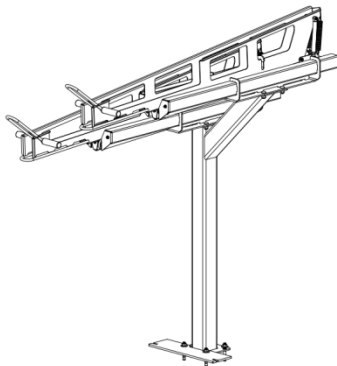


Lower assembly has roller closer to front

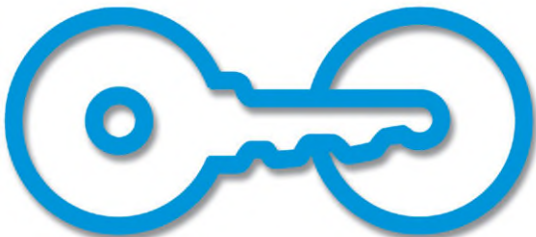


3. Place the lower Cantilever Assembly on the lower Upright position and secure with (4)  $\frac{1}{2}$ " x 1.25" carriage bolts,  $\frac{1}{2}$ " washers, and  $\frac{1}{2}$ " nylock nuts.

### 4



4. Do the same for the upper Cantilever Assembly.



**American Bicycle Security Company**

P.O. Box 7359

Ventura, CA 93006

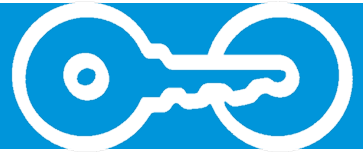
Ph: (800) 245-3723 or (805) 933-3688

Fax: (805) 933-1865

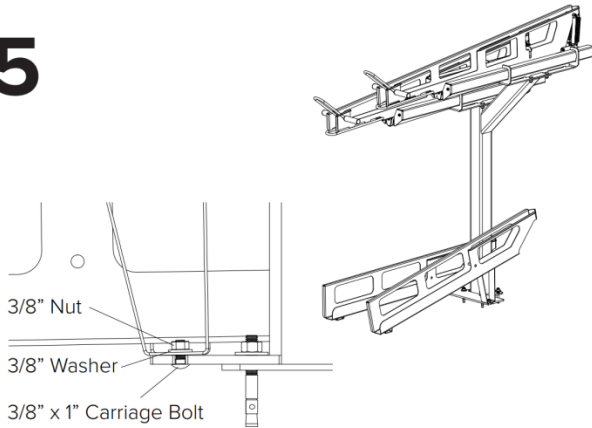
[www.ameribike.com](http://www.ameribike.com)

Email: [turtle@ameribike.com](mailto:turtle@ameribike.com)

# Dero Decker

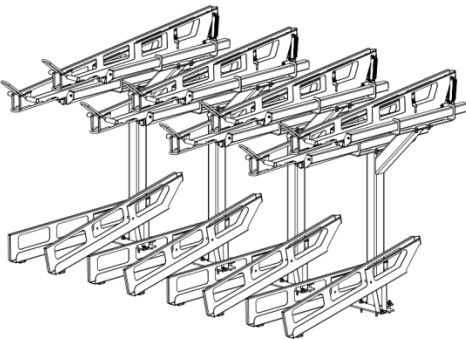


5



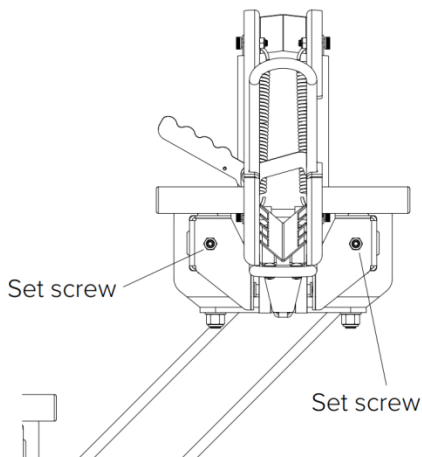
5. Place the bottom Lower and Upper Trays in position and secure at the rear with (1) 3/8" x 1" carriage bolt, 3/8" washer, and 3/8" nut each. Secure at the front with (1) 3/8" x 3" wedge anchor

6

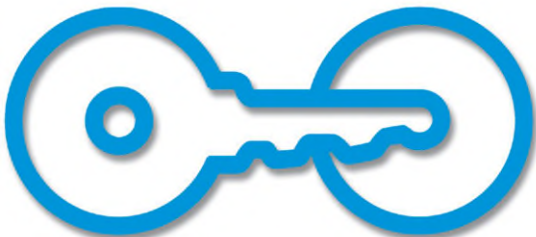


6. Continue to the next section and repeat the previous steps

7



7. After all sections are installed; pull the upper trays out one at a time to ensure smooth operation. If some trays lower too far and hit the ground, two set screws at the end of the cantilever can be tightened to stop the tray sooner.



**American Bicycle Security Company**

P.O. Box 7359

Ventura, CA 93006

Ph: (800) 245-3723 or (805) 933-3688

Fax: (805) 933-1865

[www.ameribike.com](http://www.ameribike.com)

Email: [turtle@ameribike.com](mailto:turtle@ameribike.com)