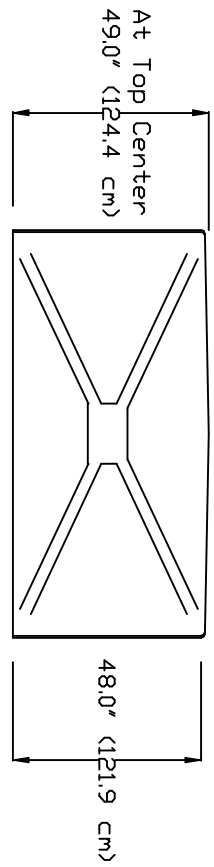
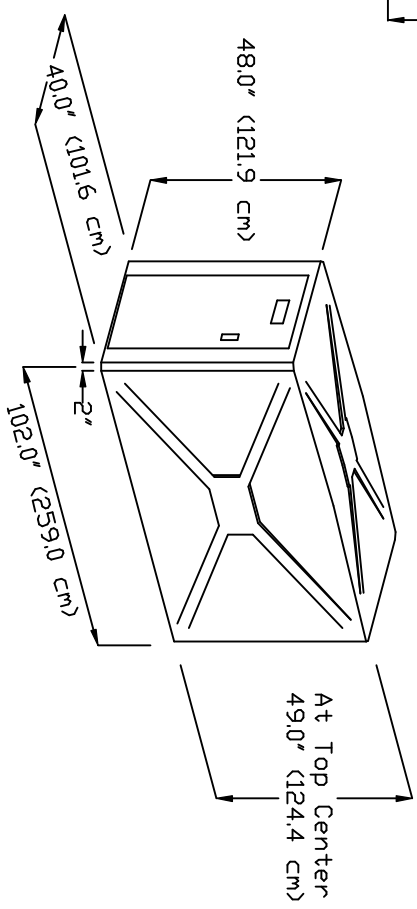
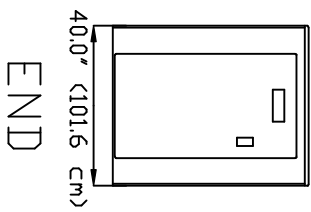


PLAN



SIDE



BIKE SHELL

MODEL 301WL

SCALE 1/4" = 1'