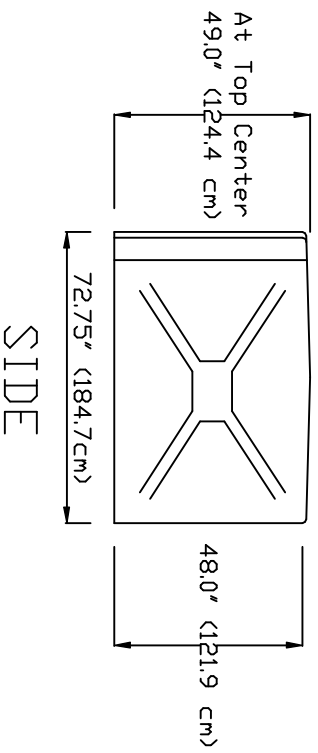
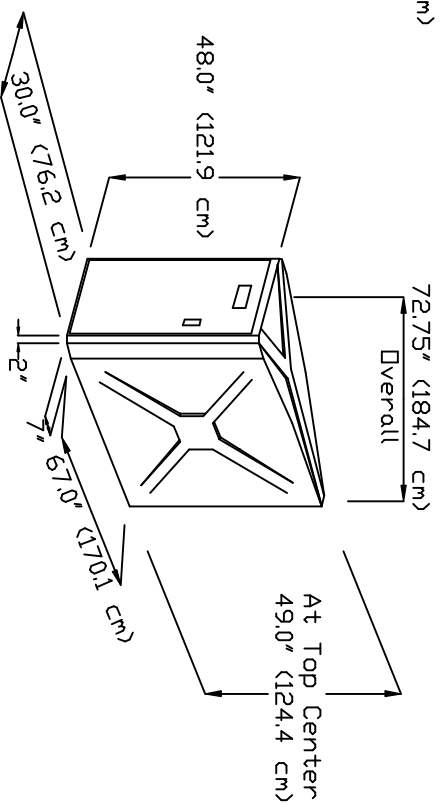
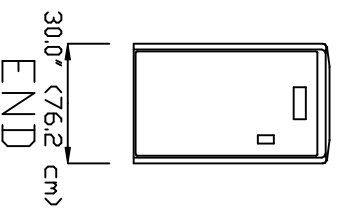


PLAN



SIDE



BIKE SHELL MODEL 301P

SCALE 1/4" = 1'