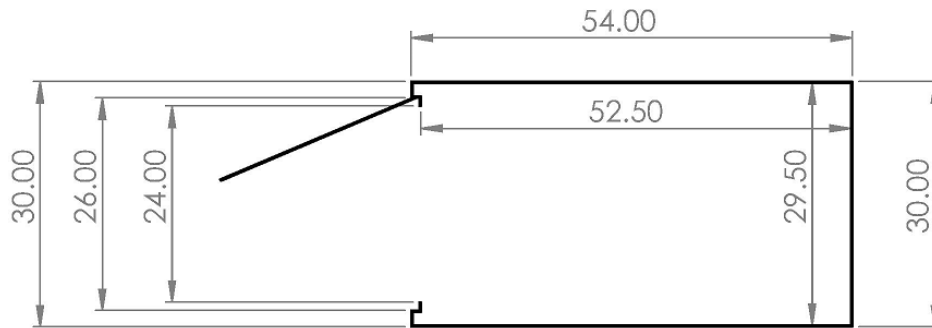
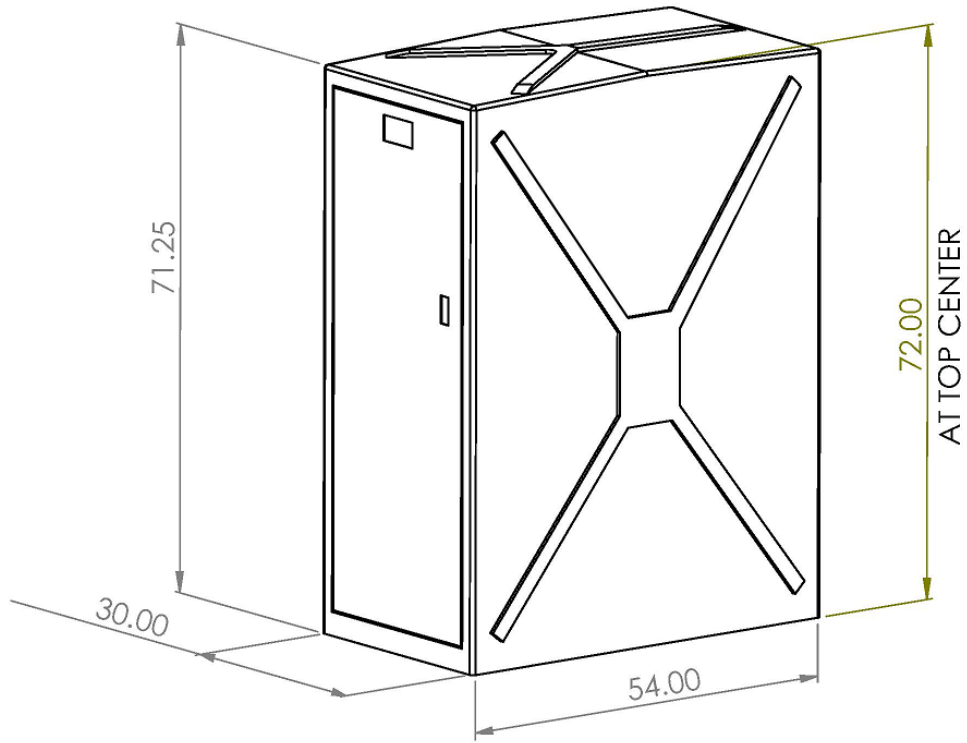


# 301MV MARINE STORAGE/ BICYCLE LOCKER



ONE DOOR / ONE BIKE

10.75 SQFT FLOOR SPACE

63 CUBIC FEET OF STORAGE SPACE