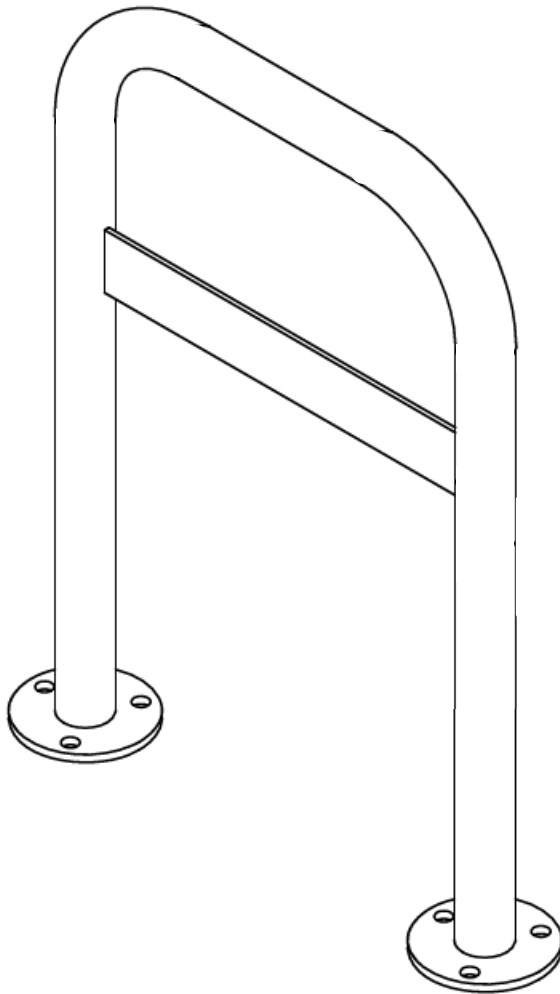
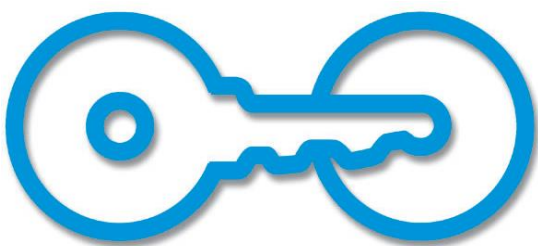


LA Hoop Rack



Los Angeles approved bike
rack (S-671-1)



American Bicycle Security Company

P.O. Box 7359

Ventura, CA 93006

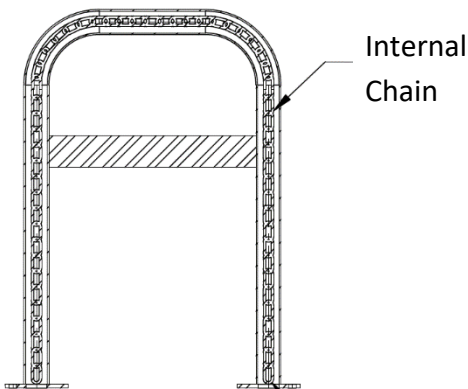
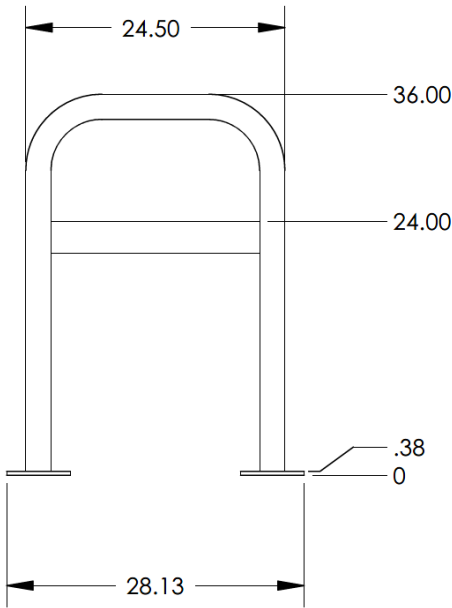
Ph: (800) 245-3723 or (805) 933-3688

Fax: (805) 933-1865

www.ameribike.com

Email: turtle@ameribike.com

LA Hoop



Capacity 2 Bikes
 Materials 2" schedule 40 pipe (2.375" OD)
 Internal Chain Chain .38 X 86 Plain G30
 ASTM A413 Proof Coil
 Finishes Standard options: Galvanized
 Or
 Powder Coated



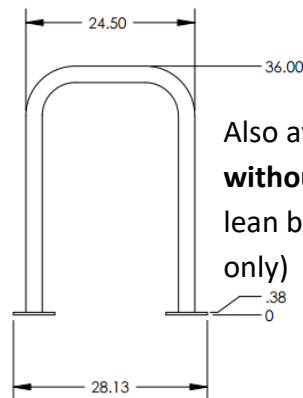
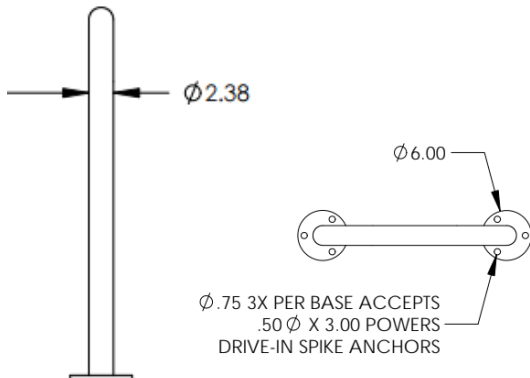
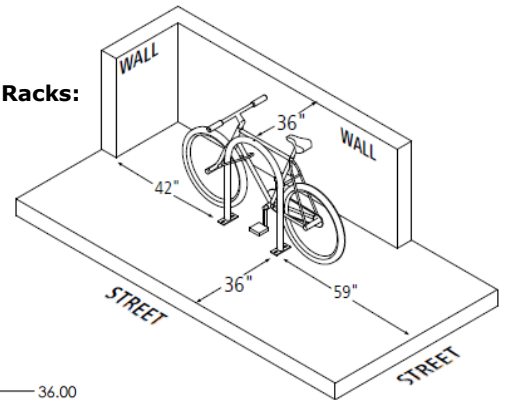
RAL 9005	Flat Black	RAL 9003	RAL 2004	RAL 1023	Bright Yellow
RAL 6016	RAL 6018	RAL 6005	RAL 5005	RAL 5015	Purple
RAL 7011	RAL 7042	RAL 9007	RAL 1001	RAL 8014	Bronze
RAL 3003	RAL 3005				

Installation Methods **Foot Mount** – anchors on top of concrete
 Space Use & Setbacks **Wall Setbacks:**
 For racks set parallel to a wall:
 Minimum: 24"
 Recommended: 36"

For racks set perpendicular to a wall:
 Minimum: 28"
 Recommended: 42"

Distance Between Racks:
 Minimum: 24"
 Recommended: 36"

Street Setbacks:
 Minimum: 24"
 Recommended: 36"



Also available **without chain and lean bar (by request only)**

American Bicycle Security Company

P.O. Box 7359

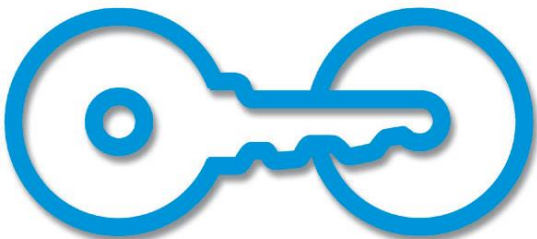
Ventura, CA 93006

Ph: (800) 245-3723 or (805) 933-3688

Fax: (805) 933-1865

www.ameribike.com

Email: turtle@ameribike.com





Surface Mounted Installation

*Tools Needed for Installation

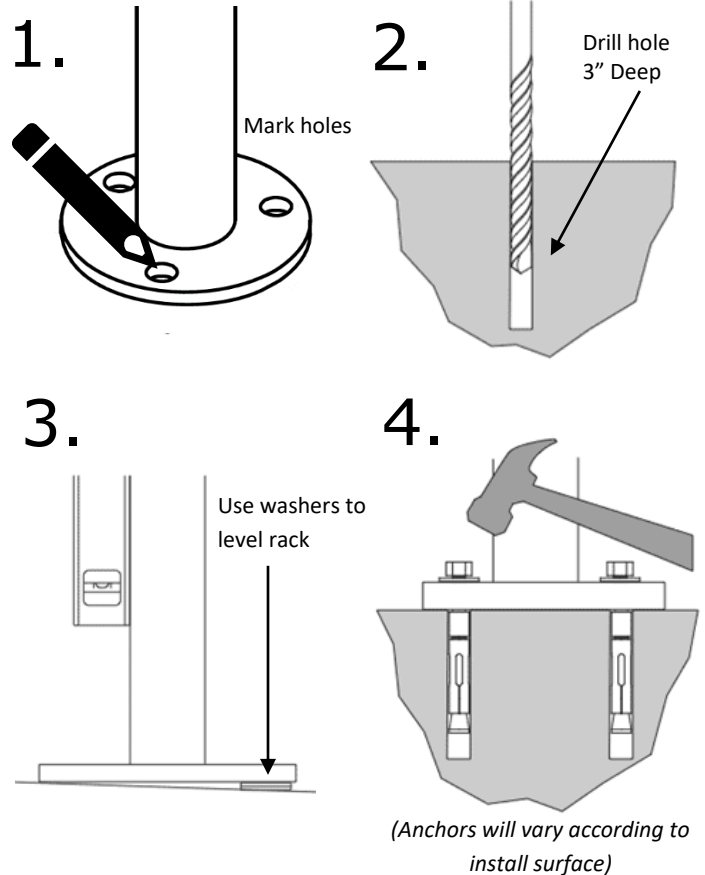
- Tape Measure
- Marker or Pencil
- Masonry Drill Bit
- Drill (*Hammer drill recommended*)
- Hammer
- Wrench 9/16"
- Level

Recommended Base materials:

Solid concrete is the best base material for installation. To ensure the proper anchors are shipped with your rack, ask your American Bicycle representative which anchor is appropriate for your application. Be sure nothing is underneath the base material that could be damaged by drilling.

Installation:

3/8" anchors are shipped with the rack. Place the rack in the desired location. Use a marker or pencil to outline the holes of the flange onto the base material. Drill the holes in accordance with the specifications shipped with the anchors. Make sure the holes are at least 3" away from any cracks in the base material. Use washers to level rack if necessary. Tap in anchors and follow your specific anchor instructions provided with the rack.

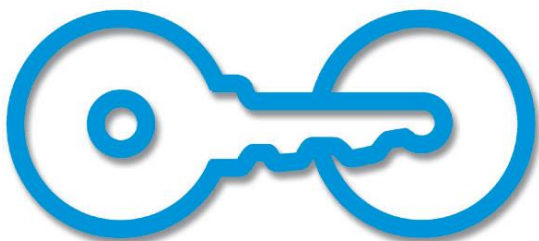


Breakaway Nut

Tamper Resistant Hardware

When using the special tamper resistant nuts, always set and first tighten the anchors. Once the rack is installed, replace two nuts from the bracket (opposite sides from each other) with the tamper resistant fastener.

DO NOT OVERTIGHTEN the tamper resistant nut.



American Bicycle Security Company

P.O. Box 7359

Ventura, CA 93006

Ph: (800) 245-3723 or (805) 933-3688

Fax: (805) 933-1865

www.ameribike.com

Email: turtle@ameribike.com