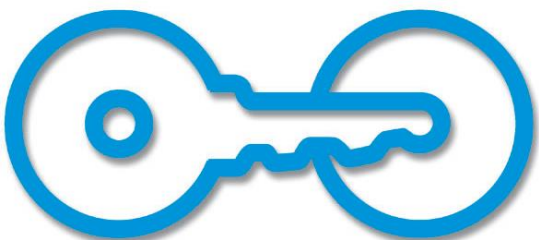




Ultra Space Saver Single



U-lock compatibility makes this rack great for property managers, commercial parking garages, and for home storage use. The Ultra Space Saver Single Rack's compact design lets you convert otherwise unusable space to bike parking. Quick installation only requires four anchors drilled into the wall. Save room today with the Ultra Space Saver Single, or check out the whole modular Ultra Space Saver system if you need to park many bikes.



American Bicycle Security Company

P.O. Box 7359

Ventura, CA 93006

Ph: (800) 245-3723 or (805) 933-3688

Fax: (805) 933-1865

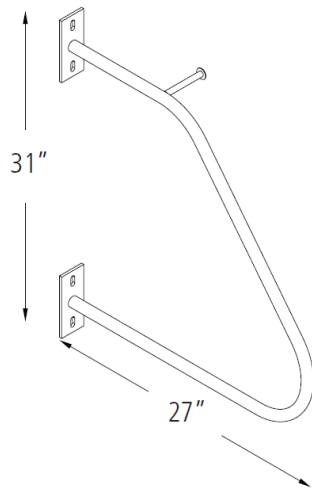
www.ameribike.com

Email: turtle@ameribike.com

Ultra Space Saver Single



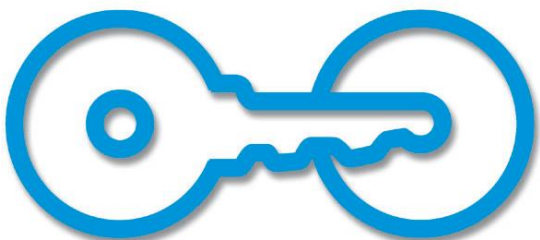
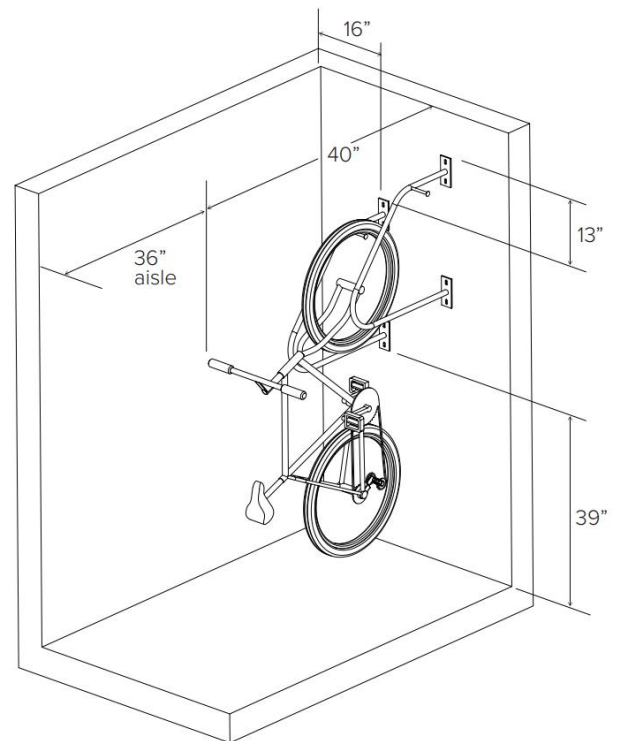
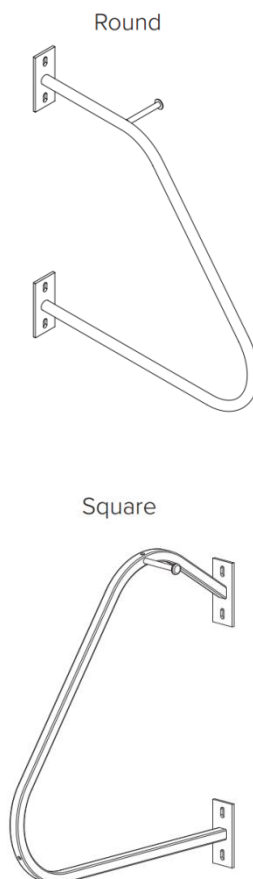
Height Requirement: 87"



| | |
|----------------------|---|
| Product | Ultra Space Saver Single |
| Capacity | 1 Bike |
| Materials | Body is 1" OD 11 gauge tube (square or round available) with 1/2" steel round bar hanger. Mounting flanges are 1/4" plate. |
| Finishes | Black powder coat loop with rubber coated hanger arm. |
| Installation Methods | Wall mount has two 2.5" x 6" foot plates set 25" apart (Centerline to centerline) with 4 fasteners. Can be set into concrete block, solid concrete, bricks, wood studs and other base materials. |
| Space Use & Setbacks | Racks should be placed minimum 16" apart. When installing racks next to each other, their heights should be staggered by 10". See diagram for approximate space use when loaded and recommended setbacks. |



Example of rack in use



American Bicycle Security Company

P.O. Box 7359

Ventura, CA 93006

Ph: (800) 245-3723 or (805) 933-3688

Fax: (805) 933-1865

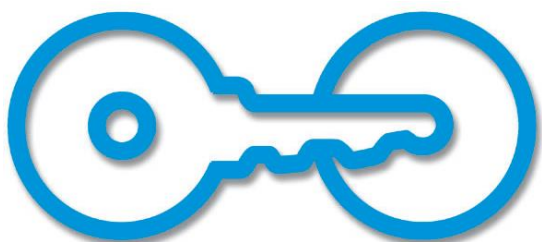
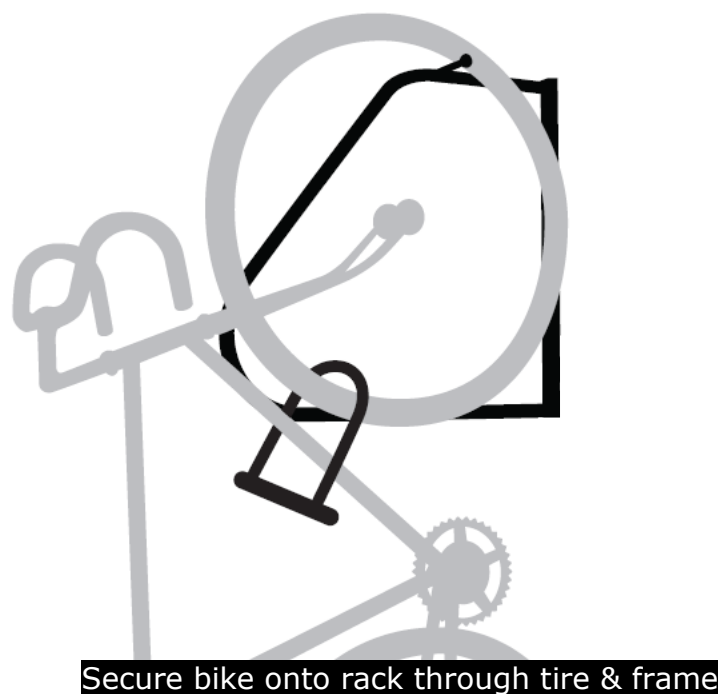
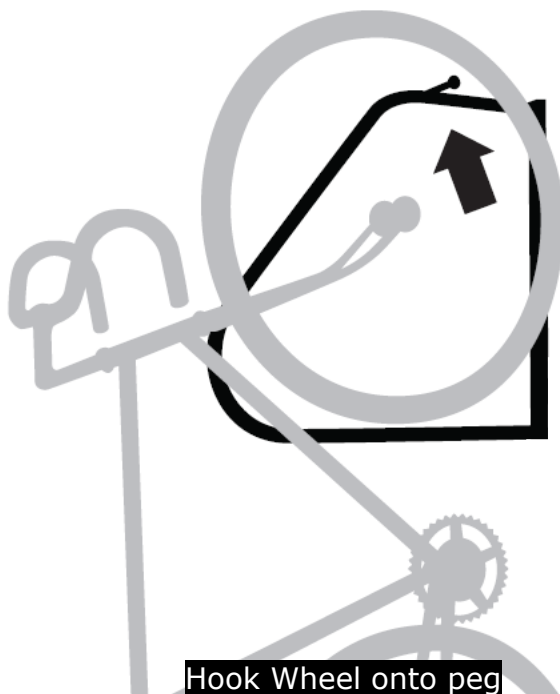
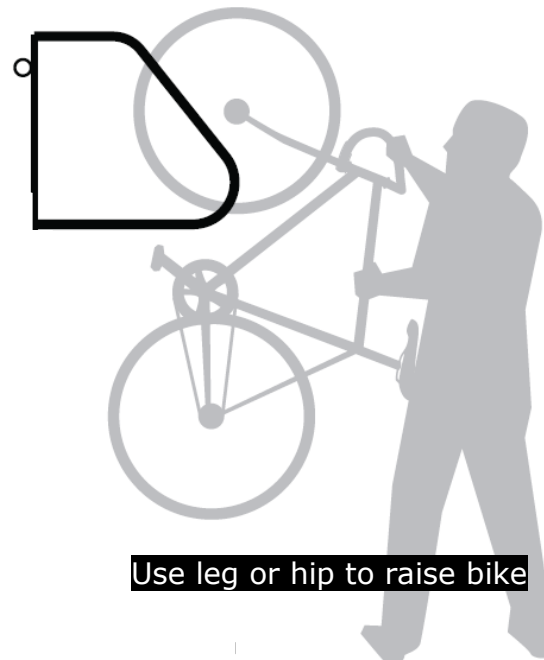
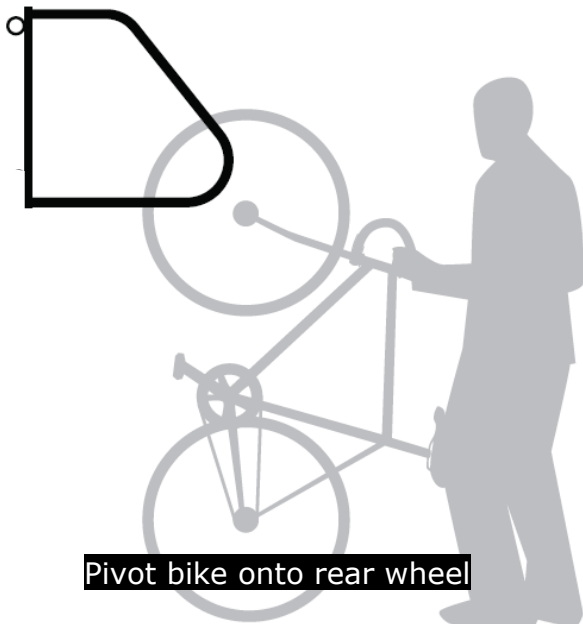
www.ameribike.com

Email: turtle@ameribike.com

Ultra Space Saver Single



How to use:



American Bicycle Security Company

P.O. Box 7359

Ventura, CA 93006

Ph: (800) 245-3723 or (805) 933-3688

Fax: (805) 933-1865

www.ameribike.com

Email: turtle@ameribike.com



*Tools Needed for Wall Mount Installation

- 9/16" Wrench/Socket
- Masonry Drill Bit
- Tape Measure
- Drill (Hammer drill recommended)
- Hammer
- Level
- Marker or pencil

Recommended Base Materials:

Solid concrete is the best base material. Brick, block, and wood stud walls may be acceptable. Metal stud walls are not an acceptable material for installation. Before installing make sure nothing is behind the wall that could be damaged by drilling and that the base material is strong enough to support a fully loaded rack. Tell your ABS Co. representative what kind of base material you are installing the Wall Rack into so the proper anchors can be shipped with the rack.

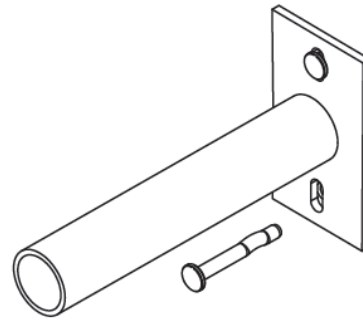
Installation:

3/8" anchors are shipped with the rack. Place the rack in the desired location. Use a marker or pencil to outline the holes of the flange onto the base material. Drill the holes in accordance with the specifications shipped with the anchors. Make sure the holes are at least 3" away from any cracks in the base material.

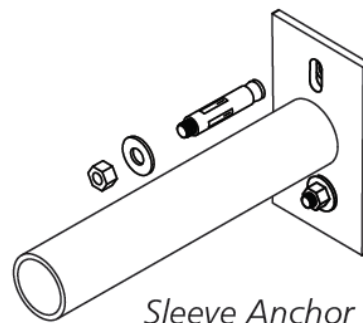
Tamper Resistant Fasteners:

The concrete spike is a permanent anchor. The top of the wedge anchor can also be pounded sideways after installation so that it cannot be removed. Other tamper resistant fasteners are also available for purchase.

When using the special tamper resistant nuts always set and first tighten the anchors. Once the rack is installed, replace two nuts from the bracket (opposite sides from each other) with the tamper resistant fastener. DO NOT OVERTIGHTEN the tamper resistant nut.



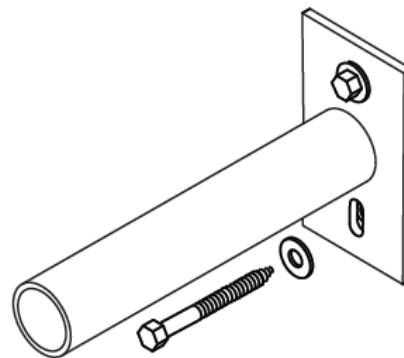
Concrete Spike



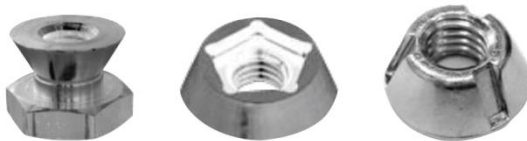
Sleeve Anchor



Titen Anchor



Lag Screw
(wood install)



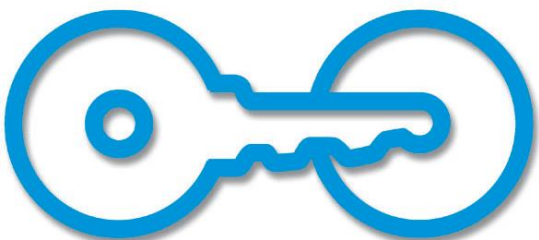
Breakaway Nut

Stainless Tamper-Proof Nut

Triple-slot Nut



Concrete Spike





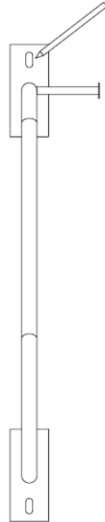
Installation Steps:

*Tools Needed for Wall Mount Installation

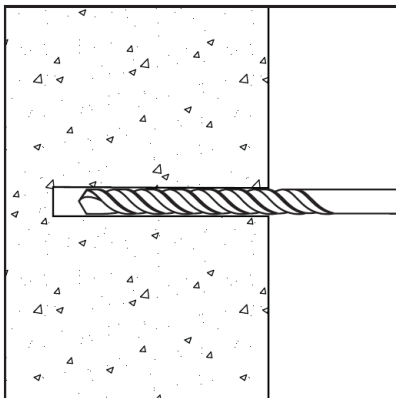
- 9/16" Wrench/Socket
- 3/8" Masonry Drill Bit
- Tape Measure
- Drill (Hammer drill recommended)
- Hammer

1. Place rack against wall. Mark holes and lower rack.
2. Drill holes 2" deep with 3/8" diameter drill bit. If installing more than one Ultra Space Saver Single, mark holes for each rack individually as there may be slight differences in the placement of holes from rack to rack.
3. Place rack back into position against wall and tap anchors through holes in the rack and into the wall.
4. Tighten anchors

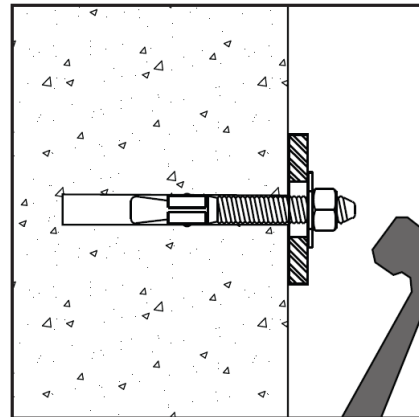
1



2



3



4

