

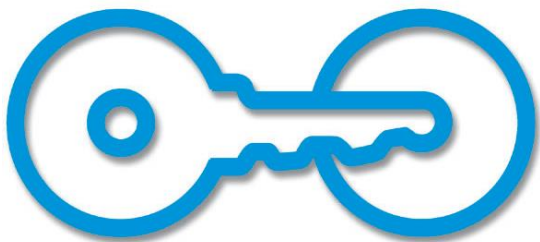


Bike-Shell™ Model 301-U

Upper Lockers for stacked 301s. Must purchase lower units or have existing lower units.



Lock located lower on door



Architects, designers and government agencies specify the 300 Series due to the high quality manufacturing which means virtually no installation costs!

- The 300 Series is the first one piece locker available that is not molded of soft and flammable HDPE plastic material.
- The construction of fiberglass reinforced plastic is highly resistant to impact, stains and will not corrode.
- Designed after our very popular 350 Series lockers and available in 6 styles providing flexibility for site locations.

American Bicycle Security Company

P.O. Box 7359

Ventura, CA 93006

Ph: (800) 245-3723 or (805) 933-3688

Fax: (805) 933-1865

www.ameribike.com

Email: turtle@ameribike.com

Bike-Shell™ Model 301-U



Product Bike-Shell™ Model 301-U (Upper Unit)

Capacity 1 door/1 Bike

Materials Locker shall be manufactured of molded fiberglass reinforced plastic composite with a smooth "X" and "Y" pattern on stippled walls and top, with smooth door frame and stippled door. Material shall be E-glass and polyester resin at 35% ratio.

Specially made to fit on top of 301 with no teetering.

Tensile Strength, 18,000 psi. Locker shall be one piece with no external or internal frame and no seams or joints on tops or side walls. Material shall withstand over 300 lb/sqft on roof and 200 lb/sqft on walls/doors.

NO ON SITE ASSEMBLY SHALL BE REQUIRED.

Roof shall be crowned for water run-off and all corners shall have a smooth radiused finish. Finish of UV stabilized gelcoat does not need painting, allows solvent removal of graffiti and is resistant to impact and UV damage.

Setback Please allow 5ft clearance for door

Hardware High quality custom continuous door hinge will not rust. All fasteners on locking system shall be zinc plated or better. Locker shall anchor in all four corners through base flanges using expansion anchors. See last page for anchoring details.

Locks ***LOCATED LOWER ON LOCKER DOOR FOR ACCESSIBILITY***

2 Standard Lock Options (No charge)

- Fort Lock 7 pin tumbler Pop Out "T" handle locks with three keys and removable lock cylinders. Internal locking hardware consists of three plated hardened steel cams controlling an extruded aluminum locking bar which engages the door frame over three foot span.

- Heavy duty stainless steel Padlock/U-Lock handle will accommodate high security Padlocks and U-Locks. For U-Locks from 1/2" to 3/4" Diameter. Padlocks and U-Locks not included.

Colors 2 Standard Color Options (No charge)

Tan

Medium Grey

Please call for custom color, or color match information

American Bicycle Security Company

P.O. Box 7359

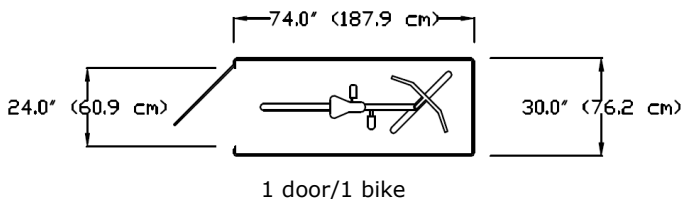
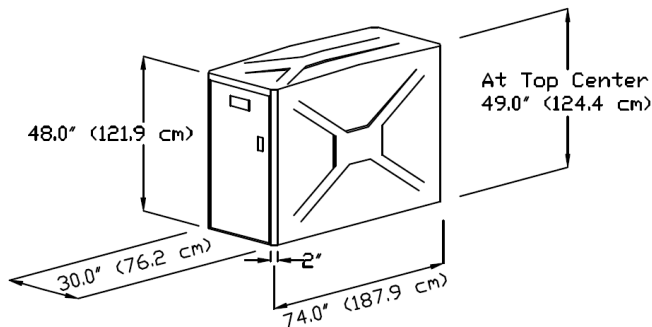
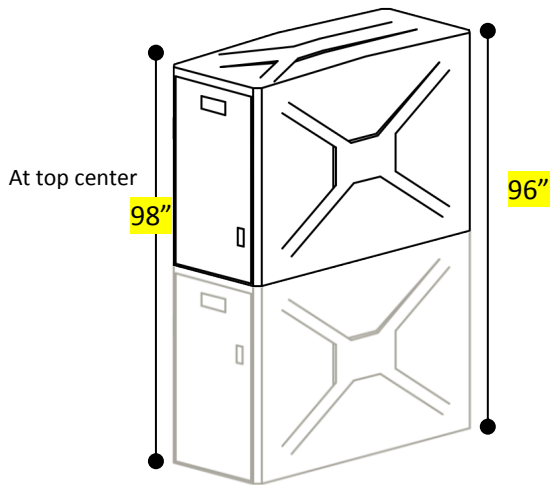
Ventura, CA 93006

Ph: (800) 245-3723 or (805) 933-3688

Fax: (805) 933-1865

www.ameribike.com

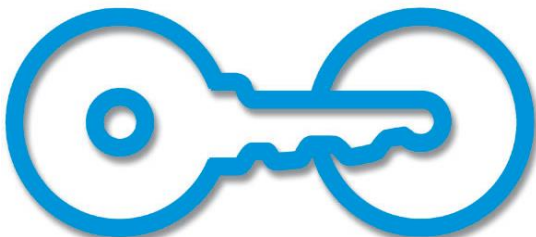
Email: turtle@ameribike.cc



T-Handle



Padlock/U-Lock Handle



Bike-Shell™ Model 301-U

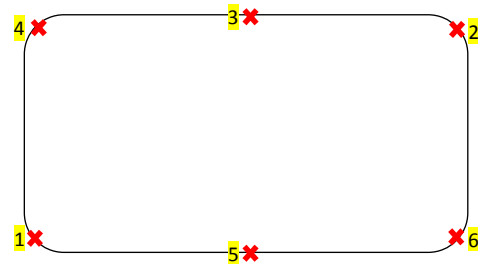


Hardware included:	Quantity
¼" – 20 x 1" Carriage Bolts	6 per unit
¼" – 20 Hex Nuts	6 per unit
¼" Flat Washers	6 per unit

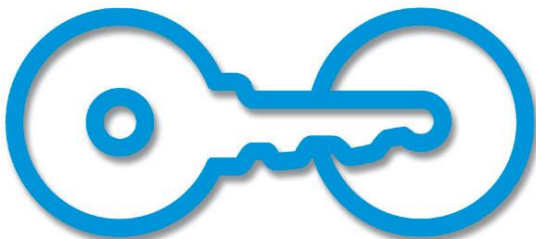
Tools needed:

Drill
¼" Drill Bit
7/16" Wrench

1. Before starting this step you should have all of your ground level lockers anchored and bolted together so they do not move or change door alignment.
2. With 2 or more people, starting at one end of the grouping of lockers, lift the first unit in place and set on top of the ground level locker. Position the upper unit so that it lines up with the locker unit. With this done, you will now need to drill ¼" holes through the base flange in the upper units and through the roof of the ground level units. See diagram below for general locations.
 - We recommend following the sequence of drilling and bolting as indicated in the diagram so that the upper unit does not shift during the drilling process. Carriage bolts should be installed downward through the flange and locker top. Washers and nuts will be inside the ground level lockers. Tighten the nuts so they are snug.
3. Continue this process with each of the upper units.



✕: Indicated approximate anchor locations
1-8: Recommended sequence for drilling



American Bicycle Security Company

P.O. Box 7359
Ventura, CA 93006
Ph: (800) 245-3723 or (805) 933-3688
Fax: (805) 933-1865
www.ameribike.com
Email: turtle@ameribike.com