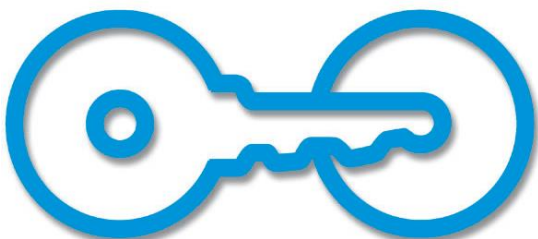




# Icon Hitch



Spice up bike parking without the expense of a fully customized bike rack. Choose from eight designs: beer mug, bike, bird, coffee cup, silverware, maple leaf, music note, and wine glass. These frequently requested designs are now available as laser-cut plates, welded inside our popular Bike Hitch. Ideal for coffee shops, restaurants, brew pubs, nature centers, and anyone who wishes to make a statement with these eye-catching bike racks.



## American Bicycle Security Company

P.O. Box 7359

Ventura, CA 93006

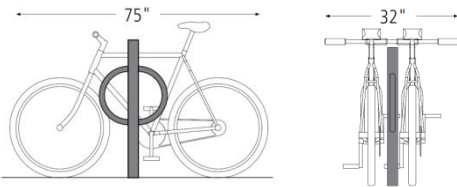
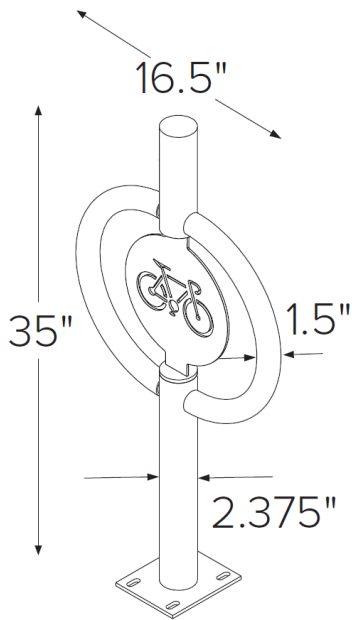
Ph: (800) 245-3723 or (805) 933-3688

Fax: (805) 933-1865

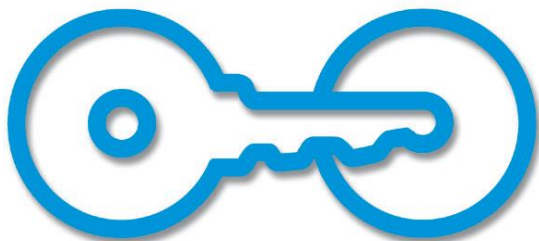
[www.ameribike.com](http://www.ameribike.com)

Email: [turtle@ameribike.com](mailto:turtle@ameribike.com)

# Icon Hitch



Example of rack in use



**Product** Bike Hitch  
**Capacity** 2 Bikes  
**Materials** Centerbeam: 2" schedule 40 pipe (2.375" OD)  
 Ring: 1.5" OD 11 gauge tube  
 Icon plate: .25" laser cut steel

**Finishes** Powder Coated

RAL 9005	Flat Black	RAL 9003	RAL 2004	RAL 1023	Bright Yellow
RAL 6016	RAL 6018	RAL 6005	RAL 5005	RAL 5015	Purple
RAL 7011	RAL 7042	RAL 9007	RAL 1001	RAL 8014	Bronze
RAL 3003	RAL 3005				

**Installation Methods** **Surface Mount** has one 5" x 6" foot which is anchored to the ground with four anchors (included with rack).

**Icon Options**



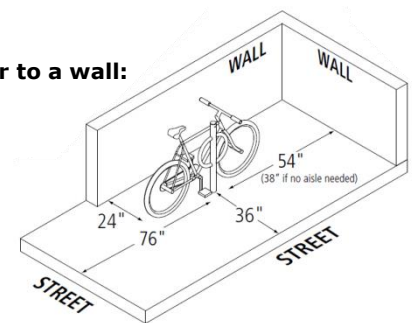
**Space Use & Setbacks**

**Wall Setbacks:**  
 For racks set parallel to a wall:  
 Minimum: 12"  
 Recommended: 24"

**For racks set perpendicular to a wall:**  
 Minimum: 35"  
 Recommended: 38"

**Distance Between Racks:**  
 Minimum: 24"  
 Recommended: 38"

**Street Setbacks:**  
 Minimum: 36"



**American Bicycle Security Company**

P.O. Box 7359

Ventura, CA 93006

Ph: (800) 245-3723 or (805) 933-3688

Fax: (805) 933-1865

[www.ameribike.com](http://www.ameribike.com)

Email: [turtle@ameribike.com](mailto:turtle@ameribike.com)



### \*Tools Needed for Installation

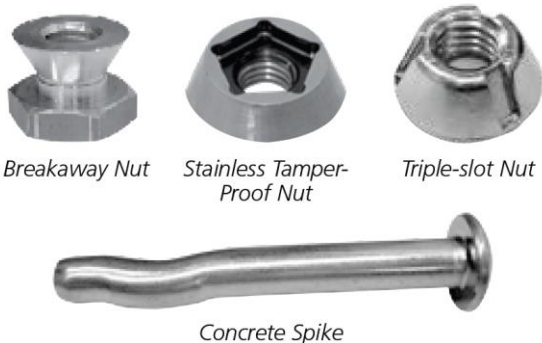
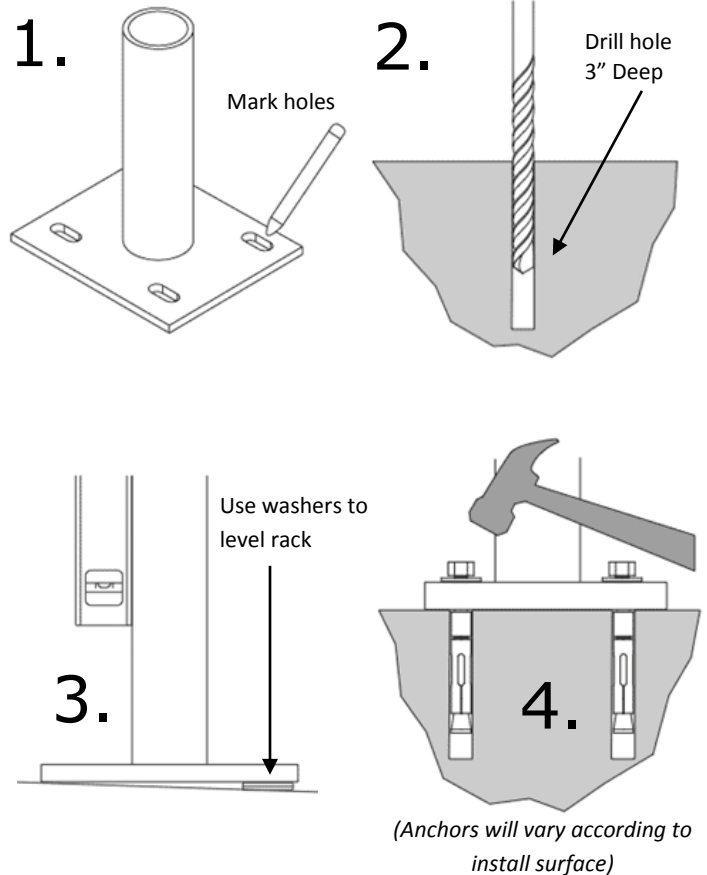
- Tape Measure
- Marker or Pencil
- Masonry Drill Bit
- Drill (*Hammer drill recommended*)
- Hammer
- Wrench 9/16"
- Level

### Recommended Base materials:

Solid concrete is the best base material for installation. Ask your American Bicycle Security representative which anchor is appropriate for your application to ensure the proper anchors are shipped with your rack. Be sure nothing is underneath the base material that could be damaged by drilling.

### Installation:

3/8" anchors are shipped with the rack. Place the rack in the desired location. Use a marker or pencil to outline the holes of the flange onto the base material. Drill the holes in accordance with the specifications shipped with the anchors. Make sure the holes are at least 6" away from any cracks in the base material.



### Tamper Resistant Hardware

The concrete spike is a permanent anchor. The top of the wedge anchor can also be pounded sideways after installation so that it cannot be removed. Other tamper resistant fasteners are also available for purchase.

When using the special tamper resistant nuts, always set and first tighten the anchors. Once the rack is installed, replace two nuts from the bracket (opposite sides from each other) with the tamper resistant fastener.

**DO NOT OVERTIGHTEN** the tamper resistant nut.

