

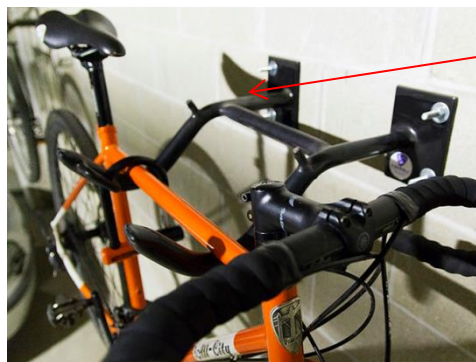


Wall Rack

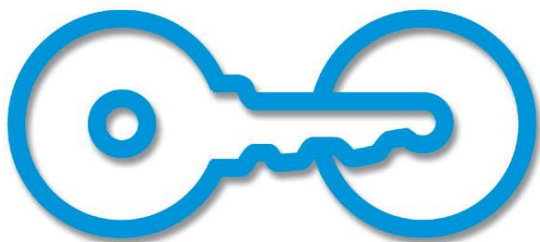
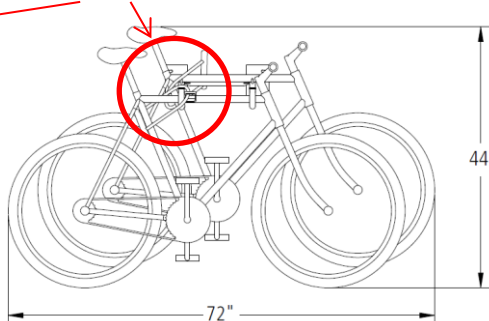


The Wall Rack is a secure bike hanger that hangs two bikes parallel to the wall. It was designed in cooperation with property managers who wanted to place high security bicycle hangers in individual tenants' car parking stalls. This rack enables property managers to provide tenants with superior bike storage without having to make separate space for dedicated bike parking. Bike owners like this option as well for garage and home storage.

The rubber coating keeps bikes from getting scratched. Two bikes can be hung up and locked securely, as the Wall Rack is fully u-lock compatible. The Wall Rack keeps bikes off the ground and out of the way, and provides a secure, space-efficient way to store them.



Use 1 or 2 U-



American Bicycle Security Company

P.O. Box 7359

Ventura, CA 93006

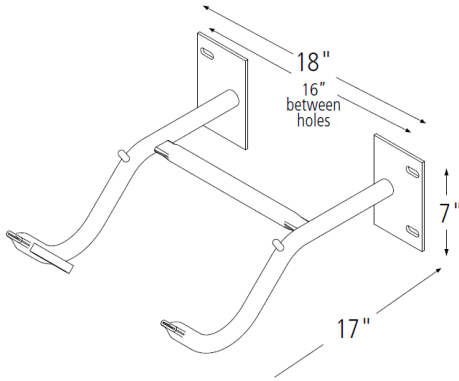
Ph: (800) 245-3723 or (805) 933-3688

Fax: (805) 933-1865

www.ameribike.com

Email: turtle@ameribike.com

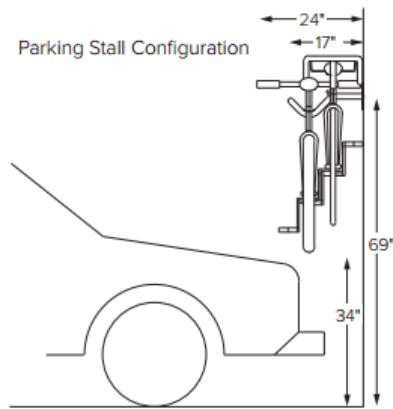
Wall Rack



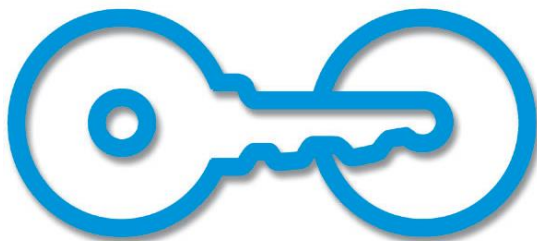
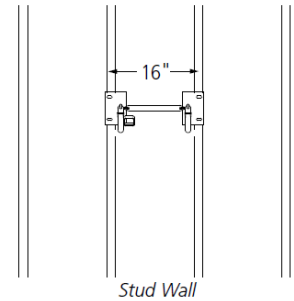
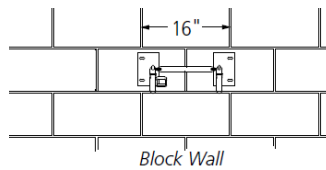
Product Wall Rack
 Capacity 2 Bikes
 Materials 1" OD 11 gauge tube
 Finishes Black Rubber Dip (plastisol)
 Other colors available by special order (minimum orders apply)

Installation Methods Flange mount has two 3.75"x6" foot plates set 16" apart with 4 fasteners. Can be set into concrete block, solid concrete, bricks, wood studs and other base materials

Space Use & Setbacks When loaded with bikes, the Wall Rack will use the approximate space shown in the diagram below.



Wall Racks cannot be stacked on top of each other



American Bicycle Security Company

P.O. Box 7359

Ventura, CA 93006

Ph: (800) 245-3723 or (805) 933-3688

Fax: (805) 933-1865

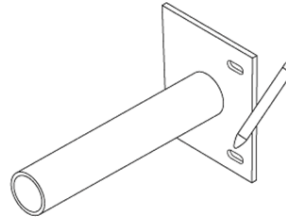
www.ameribike.com

Email: turtle@ameribike.com



*Tools Needed for Installation

- Tape Measure
- Marker or Pencil
- Masonry Drill Bit
- Drill (*Hammer drill recommended*)
- Hammer
- Wrench 9/16"
- Level



1. Place the rack in the desired location. Use a marker or pencil to outline the holes of the flange onto the base material.

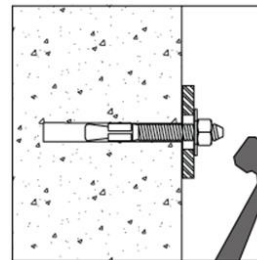
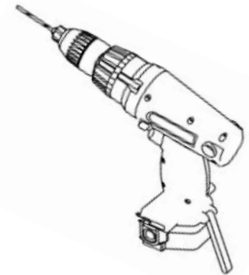
Recommended Base materials:

Solid concrete is the best base material for installation. To ensure the proper anchors are shipped with your rack, ask your American Bicycle representative which anchor is appropriate for your application. Be sure nothing is underneath the base material that could be damaged by drilling.

Installation:

3/8" anchors are shipped with the rack. Place the rack in the desired location. Use a marker or pencil to outline the holes of the flange onto the base material. Drill the holes in accordance with the specifications shipped with the anchors. Make sure the holes are at least 3" away from any cracks in the base material. Use washers to level rack if necessary. Tap in anchors and follow your specific anchor instructions provided with the rack.

2. Drill the holes in accordance with the specifications shipped with the anchors. Make sure the holes are at least 3" away from any cracks in the base material.



3. Tap in anchors and follow your specific anchor instructions provided with the rack.



Breakaway Nut



Stainless Tamper-Proof Nut



Triple-slot Nut



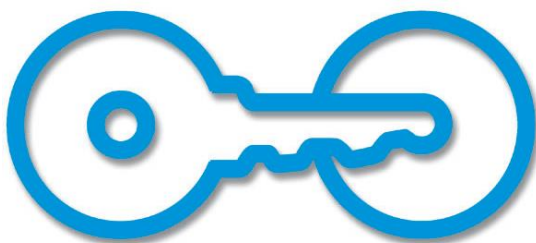
Concrete Spike

Tamper Resistant Hardware

The concrete spike is a permanent anchor. The top of the wedge anchor can also be pounded sideways after installation so that it cannot be removed. Other tamper resistant fasteners are also available for purchase.

When using the special tamper resistant nuts, always set and first tighten the anchors. Once the rack is installed, replace two nuts from the bracket (opposite sides from each other) with the tamper resistant fastener.

DO NOT OVERTIGHTEN the tamper resistant nut.



American Bicycle Security Company

P.O. Box 7359

Ventura, CA 93006

Ph: (800) 245-3723 or (805) 933-3688

Fax: (805) 933-1865

www.ameribike.com

Email: turtle@ameribike.com