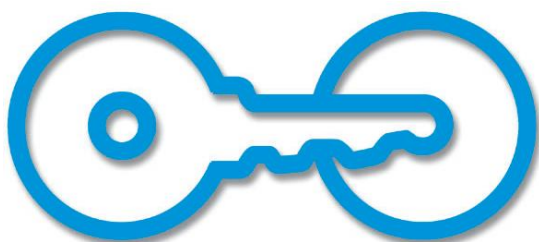




Tool Kit



The Tool Kit includes all the necessary tools to perform routine maintenance and adjustments on most bikes. The tools are securely fastened with stainless steel cables and tamperproof fasteners. Two versions are available, a free standing floor mount and a wall mounted version.



American Bicycle Security Company

P.O. Box 7359

Ventura, CA 93006

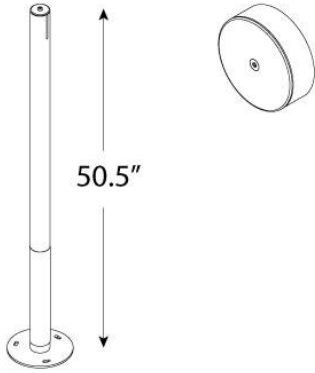
Ph: (800) 245-3723 or (805) 933-3688

Fax: (805) 933-1865

www.ameribike.com

Email: turtle@ameribike.com

Tool Kit



Tools Included:

- Philips and flat head screwdrivers
- 2.5, 3, 4, 5, 6, 8mm Allen wrenches
- Headset wrench
- Pedal wrench
- 8, 9, 10, 11mm box wrenches
- Tire levers

Product Tool Kit

Materials Surface-Mounted Tool Kit
 A. Main body: 2" sch. 40 pipe
 B. Top cap: 3/16" plate
 C. Foot: 8" dia. x .25" plate
 D. Tool tethers: 5/32" stainless steel cable

Wall-Mounted Tool Kit
 A. Main body: 6.308 x .154" tube, 3/16" plate
 B. Top cap: 3/16" plate
 C. Tool tethers: 5/32" stainless steel cable

Finishes Standard options: Galvanized
 Or
 Powder Coated



RAL 9005	Flat Black	RAL 9003	RAL 2004	RAL 1023	Bright Yellow
RAL 6016	RAL 6018	RAL 6005	RAL 5005	RAL 5015	Purple
RAL 7011	RAL 7042	RAL 9007	RAL 1001	RAL 8014	Bronze
RAL 3003	RAL 3005				

Also available in Thermoplastic.

Installation Methods **Wall Mount** has a 6" dia. x 3/16" base plate that is installed onto a wall with 2 anchors.

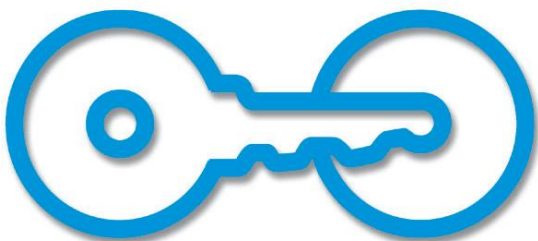
Foot Mount has 8"x.25" circular foot with three anchors.

Space Use & Setbacks **Surface Mount:**
Wall Setback: The Tool Kit should be at least 12" from a wall. Both sides of the Tool Kit should be 36" from either wall.

Street Setback: The Tool Kit should be at least 60" from the street.

Wall Mount:
Wall Setback: The Tool Kit should be mounted on a wall at least 54" from the ground to the center of the Tool Kit. The Tool Kit should be 36" from an adjacent wall.

**No part of the Tool Kit should protrude onto a walkway, bike lane, or common area.*



American Bicycle Security Company

P.O. Box 7359
 Ventura, CA 93006
 Ph: (800) 245-3723 or (805) 933-3688
 Fax: (805) 933-1865

www.ameribike.com

Email: turtle@ameribike.com



*Tools Needed for Installation

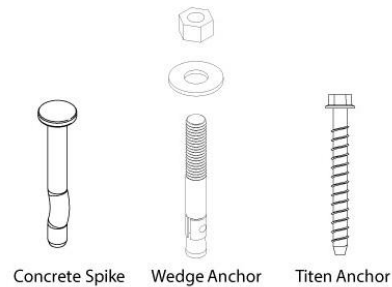
- Tape Measure
- Marker or Pencil
- Masonry Drill Bit
- Drill (Hammer drill recommended)
- Hammer
- Wrench 9/16"
- Level

Recommended Base materials:

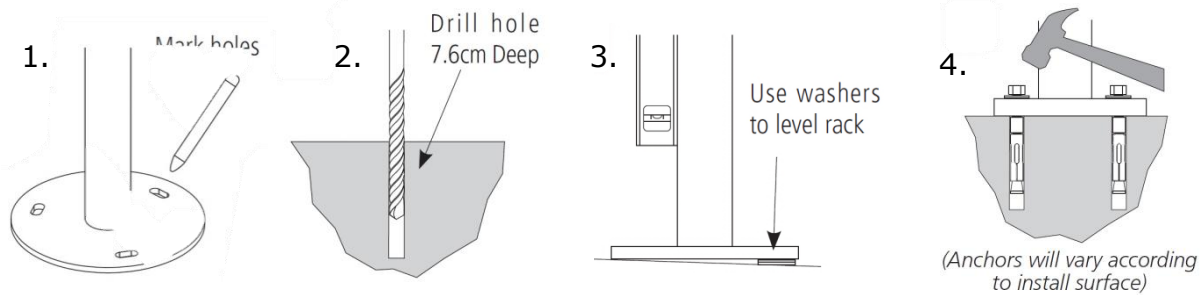
Solid concrete is the best base material for installation. To ensure the proper anchors are shipped with your Tool Kit, ask your Tool Kit representative which anchor is appropriate for your application. Be sure nothing is underneath the base material that could be damaged by drilling.

Installation:

3/8" anchors are shipped with the Tool Kit. Place the Tool Kit in the desired location. Use a marker or pencil to outline the holes of the flange onto the base material. Drill the holes in accordance with the specifications shipped with the anchors. Make sure the holes are at least 3" away from any cracks in the base material. Use washers to level Tool Kit if necessary. Tap in anchors and follow your specific anchor instructions provided with the Tool Kit.



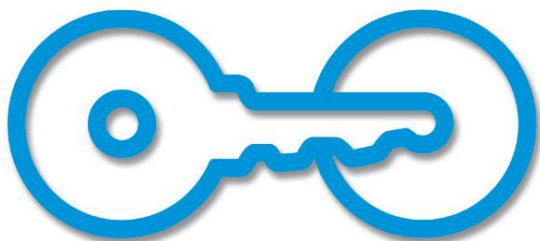
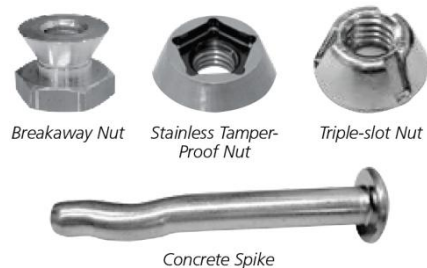
Standard Anchor Types



Tamper Resistant Hardware:

The concrete spike is a permanent anchor. The top of the wedge anchor can also be pounded sideways after installation so that it cannot be removed. Other tamper resistant fasteners are also available for purchase.

When using the special tamper resistant nuts, always set and first tighten the anchors. Once the Tool Kit is installed, replace two nuts from the Tool Kit (opposite sides from each other) with the tamper resistant fastener. **DO NOT OVERTIGHTEN** the tamper resistant nut.



American Bicycle Security Company

P.O. Box 7359

Ventura, CA 93006

Ph: (800) 245-3723 or (805) 933-3688

Fax: (805) 933-1865

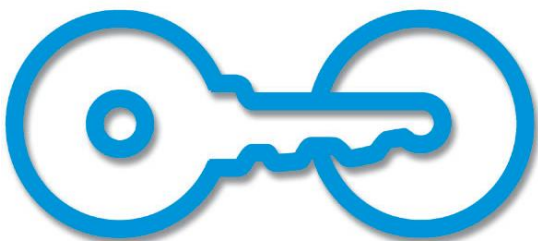
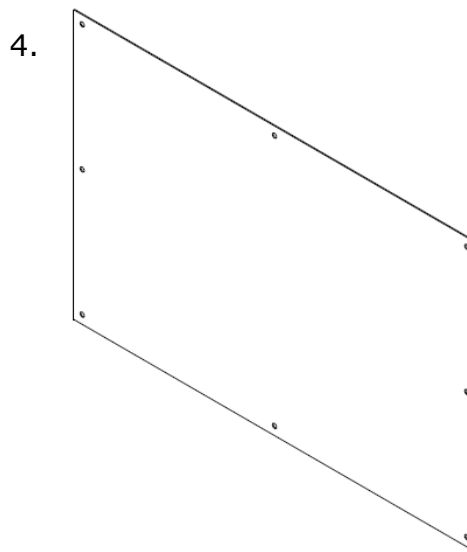
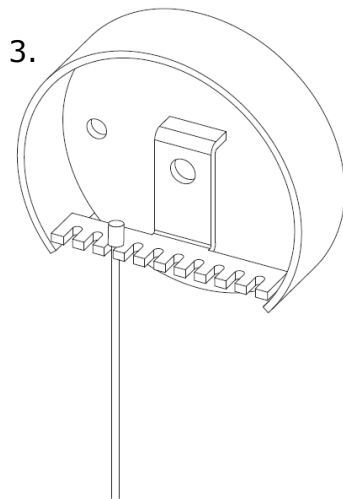
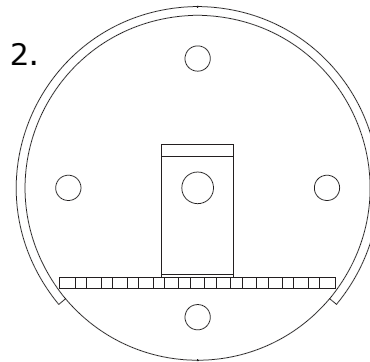
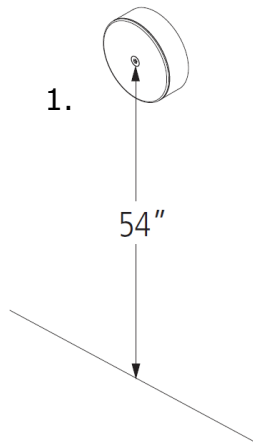
www.ameribike.com

Email: turtle@ameribike.com



Instructions:

1. The Tool Kit wall-mount should be installed with the center of the Tool Kit 54" above the ground.
2. There are 4 mounting holes; only 2 need to be used. For installations into a vertical stud, use the 2 vertically oriented holes. The horizontally oriented holes can be used for other types of installation. 3/8" wedge anchors, lag bolts, or other fasteners may be used.
3. Once the base is installed, place the tool cables in the slots, and fasten the cap with the provided 3/8" tamper resistant bolt.
4. The wall guard can be mounted to prevent hanging tools from damaging the wall.



American Bicycle Security Company

P.O. Box 7359

Ventura, CA 93006

Ph: (800) 245-3723 or (805) 933-3688

Fax: (805) 933-1865

www.ameribike.com

Email: turtle@ameribike.com