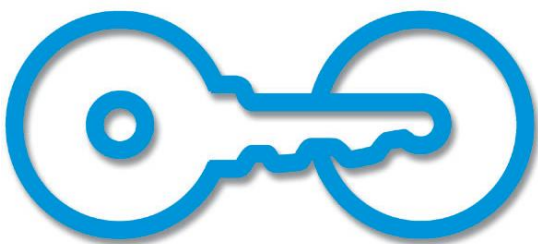




# Round Rack



Clean lines and simple functionality make the Round Rack welcome addition to bike parking. Much like a Hoop Rack, but with a more stylish appearance, the Round Rack enhances public spaces while providing secure parking for two bikes.



**American Bicycle Security Company**

P.O. Box 7359

Ventura, CA 93006

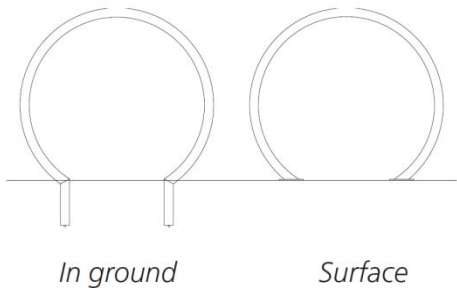
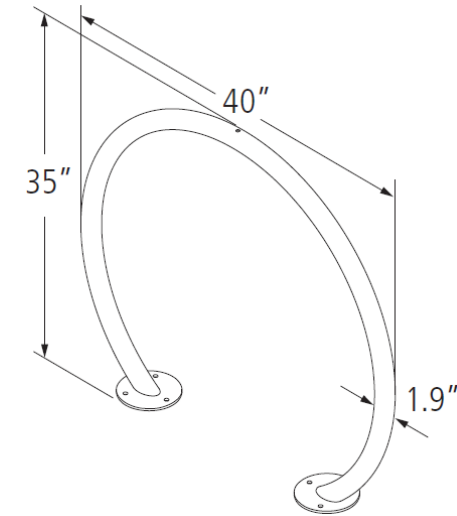
Ph: (800) 245-3723 or (805) 933-3688

Fax: (805) 933-1865

[www.ameribike.com](http://www.ameribike.com)

Email: [turtle@ameribike.com](mailto:turtle@ameribike.com)

# Round Rack



Product Round Rack  
 Capacity 2 Bikes  
 Materials 1.5" schedule 40 pipe (1.9" OD)  
 Finishes Standard options: Galvanized Or Powder Coated



RAL 9005	Flat Black	RAL 9003	RAL 2004	RAL 1023	Bright Yellow
RAL 6016	RAL 6018	RAL 6005	RAL 5005	RAL 5015	Purple
RAL 7011	RAL 7042	RAL 9007	RAL 1001	RAL 8014	Bronze
RAL 3003	RAL 3005				

Also available in Thermoplastic or Stainless steel.

**Installation Methods** **In ground mount** is embedded into concrete base. Specify in ground mount for this option.

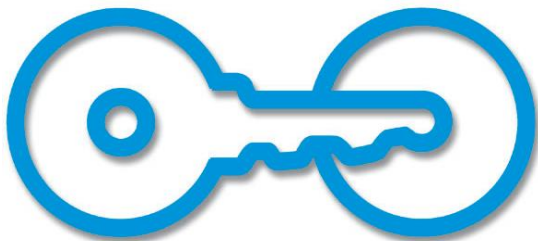
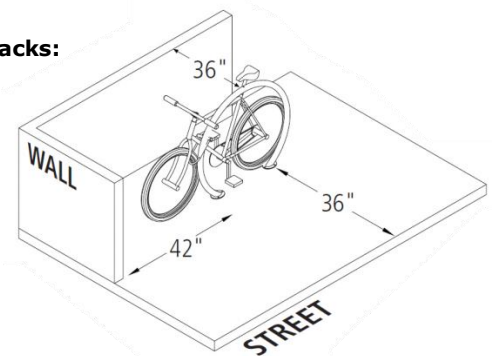
**Foot Mount** has two 6" diameter x .25" circular feet with three anchors per foot. Specify foot mount for this option.

**Space Use & Setbacks** **Wall Setbacks:**  
 For racks set parallel to a wall:  
 Minimum: 24"  
 Recommended: 36"

**For racks set perpendicular to a wall:**  
 Minimum: 28"  
 Recommended: 42"

**Distance Between Racks:**  
 Minimum: 24"  
 Recommended: 36"

**Street Setbacks:**  
 Minimum: 24"  
 Recommended: 36"



**American Bicycle Security Company**

P.O. Box 7359

Ventura, CA 93006

Ph: (800) 245-3723 or (805) 933-3688

Fax: (805) 933-1865

[www.ameribike.com](http://www.ameribike.com)

Email: [turtle@ameribike.com](mailto:turtle@ameribike.com)

# Round Rack

## Surface Mounted Installation



### \*Tools Needed for Installation

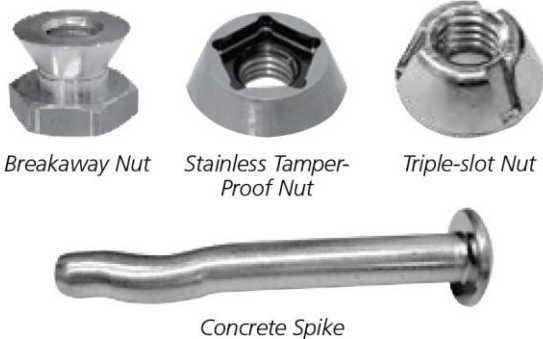
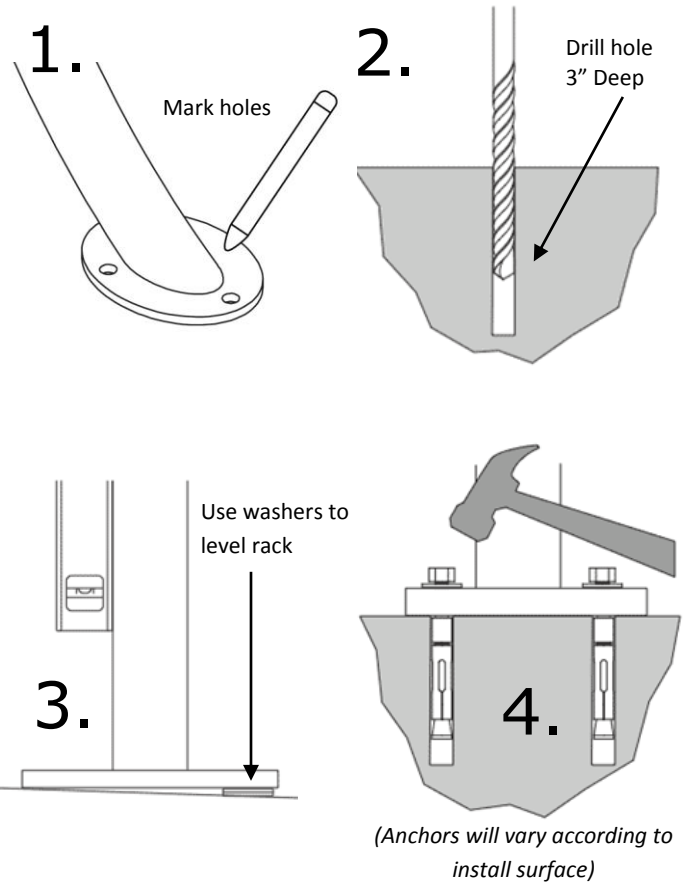
- Tape Measure
- Marker or Pencil
- Masonry Drill Bit
- Drill (*Hammer drill recommended*)
- Hammer
- Wrench 9/16"
- Level

### Recommended Base materials:

Solid concrete is the best base material for installation. To ensure the proper anchors are shipped with your rack, ask your American Bicycle representative which anchor is appropriate for your application. Be sure nothing is underneath the base material that could be damaged by drilling.

### Installation:

3/8" anchors are shipped with the rack. Place the rack in the desired location. Use a marker or pencil to outline the holes of the flange onto the base material. Drill the holes in accordance with the specifications shipped with the anchors. Make sure the holes are at least 3" away from any cracks in the base material. Use washers to level rack if necessary. Tap in anchors and follow your specific anchor instructions provided with the rack.



Breakaway Nut

Stainless Tamper-Proof Nut

Triple-slot Nut

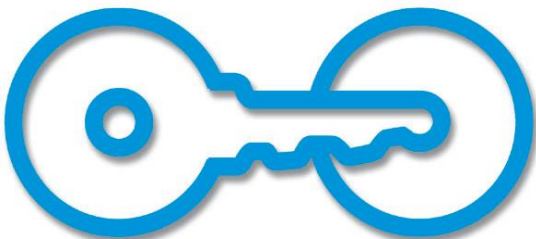
Concrete Spike

### Tamper Resistant Hardware

The concrete spike is a permanent anchor. The top of the wedge anchor can also be pounded sideways after installation so that it cannot be removed. Other tamper resistant fasteners are also available for purchase.

When using the special tamper resistant nuts, always set and first tighten the anchors. Once the rack is installed, replace two nuts from the bracket (opposite sides from each other) with the tamper resistant fastener.

**DO NOT OVERTIGHTEN** the tamper resistant nut.



### American Bicycle Security Company

P.O. Box 7359

Ventura, CA 93006

Ph: (800) 245-3723 or (805) 933-3688

Fax: (805) 933-1865

[www.ameribike.com](http://www.ameribike.com)

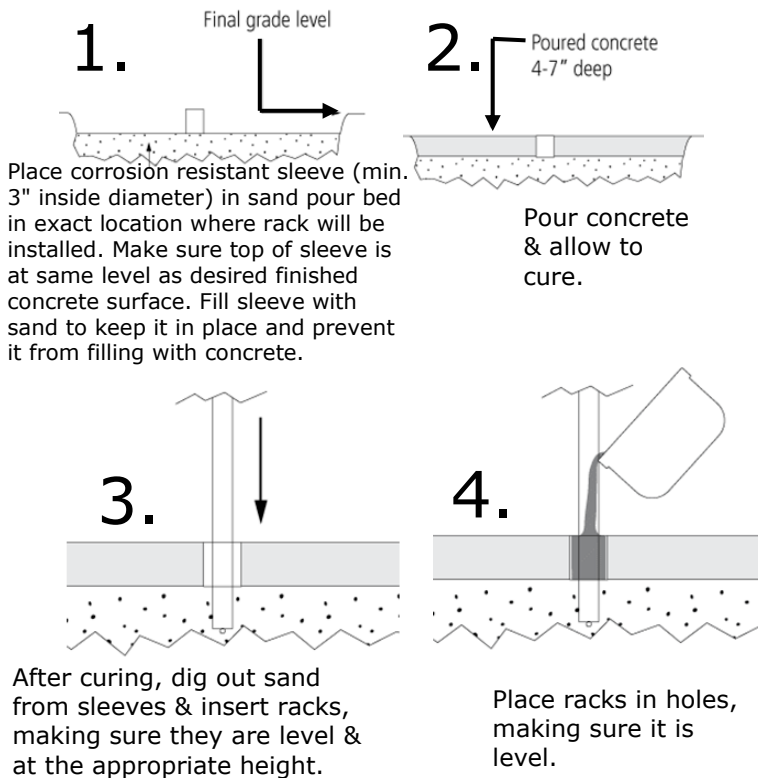
Email: [turtle@ameribike.com](mailto:turtle@ameribike.com)



### \*Tools Needed for Installation

- Level
- Cement mixing tub
- Shovel
- Trowel
- Hole coring machine with 4" bit
- Access to water hose
- Materials to build brace

### Installing into New Concrete



### Installing into Existing Concrete

