

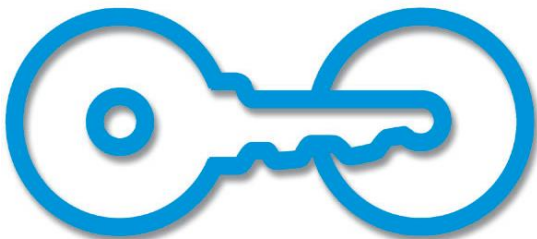


Recycle Rack

96% Recycled Content



Take green to the next level with the Recycle Racks. Combining basic materials with innovative design, this is a completely unique bike rack. The Recycle Racks are made of 96% recycled content and are available in environmentally-friendly, powder coated finishes. The Recycle Racks' Tree and Circles forms attract the eye and provide great support for bicycles. The high security, solid steel frame is u-lock compatible.



American Bicycle Security Company

P.O. Box 7359

Ventura, CA 93006

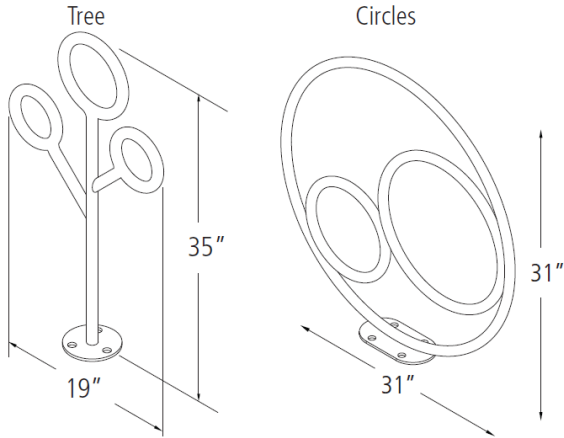
Ph: (800) 245-3723 or (805) 933-3688

Fax: (805) 933-1865

www.ameribike.com

Email: turtle@ameribike.com

Recycle Rack



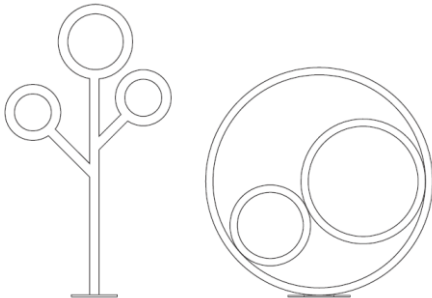
Product Recycle Racks
 Capacity 2 Bikes
 Materials #8 rebar, 96% recycled content
 Finishes Standard options: Galvanized Or Powder Coated



RAL 9005	Flat Black	RAL 9003	RAL 2004	RAL 1023	Bright Yellow
RAL 6016	RAL 6018	RAL 6005	RAL 5005	RAL 5015	Purple
RAL 7011	RAL 7042	RAL 9007	RAL 1001	RAL 8014	Bronze
RAL 3003	RAL 3005				

Also available in Thermoplastic.

Surface Mount



Installation Methods **In ground mount** is embedded into concrete base. Specify in ground mount for this option.

Surface Mount has .25" thick feet. Specify surface mount for this option.

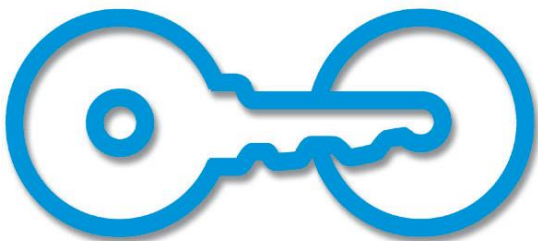
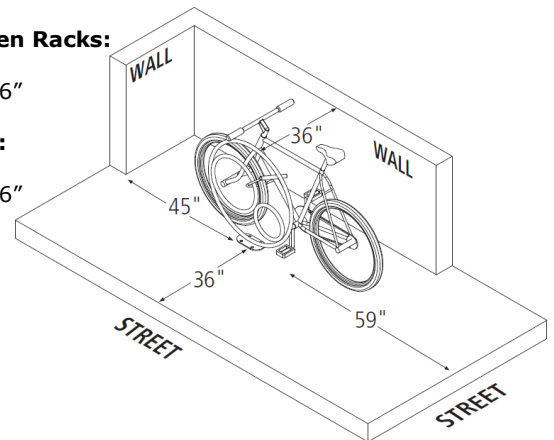
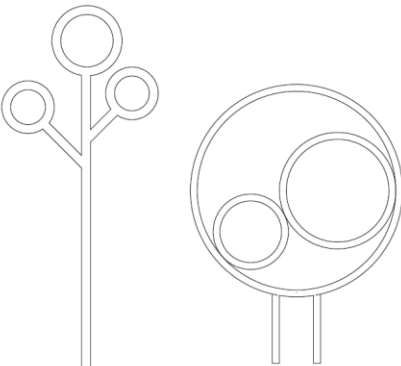
Space Use & Setbacks **Wall Setbacks:**
 For racks set parallel to a wall:
 Minimum: 24"
 Recommended: 36"

For racks set perpendicular to a wall:
 Minimum: 28"
 Recommended: 59"

Distance Between Racks:
 Minimum: 24"
 Recommended: 36"

Street Setbacks:
 Minimum: 24"
 Recommended: 36"

In Ground Mount



American Bicycle Security Company

P.O. Box 7359

Ventura, CA 93006

Ph: (800) 245-3723 or (805) 933-3688

Fax: (805) 933-1865

www.ameribike.com

Email: turtle@ameribike.com

Recycle Rack

Surface Mounted Installation



*Tools Needed for Installation

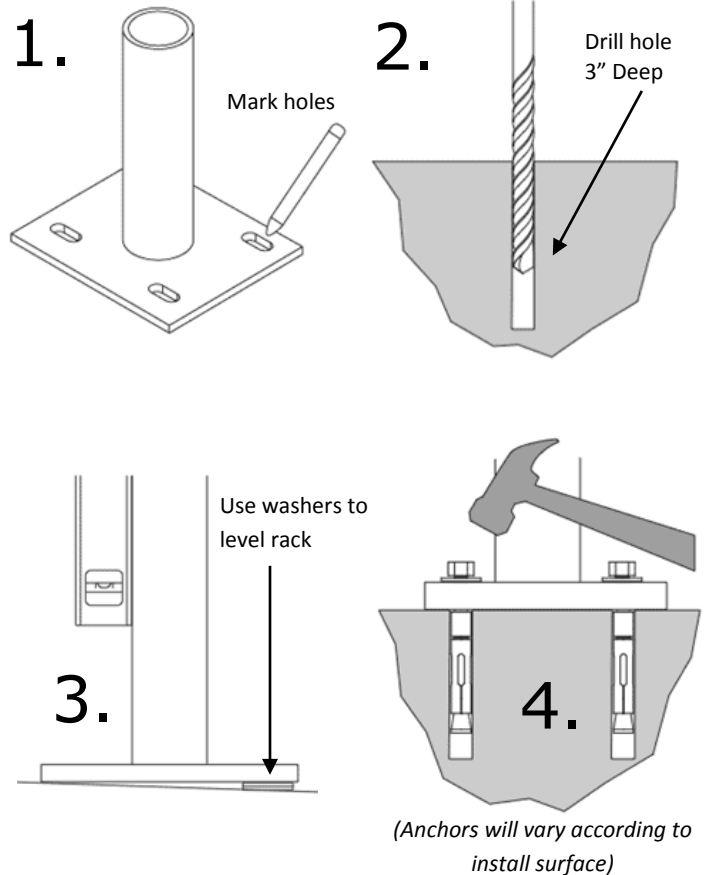
- Tape Measure
- Marker or Pencil
- Masonry Drill Bit
- Drill (*Hammer drill recommended*)
- Hammer
- Wrench 9/16"
- Level

Recommended Base materials:

Solid concrete is the best base material for installation. To ensure the proper anchors are shipped with your rack, ask your American Bicycle representative which anchor is appropriate for your application. Be sure nothing is underneath the base material that could be damaged by drilling.

Installation:

3/8" anchors are shipped with the rack. Place the rack in the desired location. Use a marker or pencil to outline the holes of the flange onto the base material. Drill the holes in accordance with the specifications shipped with the anchors. Make sure the holes are at least 3" away from any cracks in the base material. Use washers to level rack if necessary. Tap in anchors and follow your specific anchor instructions provided with the rack.



Breakaway Nut



Stainless Tamper-Proof Nut



Triple-slot Nut



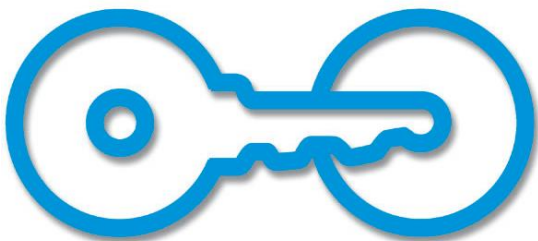
Concrete Spike

Tamper Resistant Hardware

The concrete spike is a permanent anchor. The top of the wedge anchor can also be pounded sideways after installation so that it cannot be removed. Other tamper resistant fasteners are also available for purchase.

When using the special tamper resistant nuts, always set and first tighten the anchors. Once the rack is installed, replace two nuts from the bracket (opposite sides from each other) with the tamper resistant fastener.

DO NOT OVERTIGHTEN the tamper resistant nut.



American Bicycle Security Company

P.O. Box 7359

Ventura, CA 93006

Ph: (800) 245-3723 or (805) 933-3688

Fax: (805) 933-1865

www.ameribike.com

Email: turtle@ameribike.com

Recycle Rack

In-Ground Mounted Installation



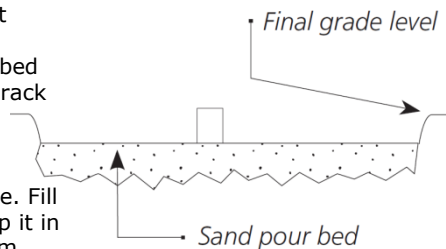
*Tools Needed for Installation

- Level
- Cement mixing tub
- Shovel
- Trowel
- Hole coring machine with 4" bit
- Access to water hose
- Materials to build brace

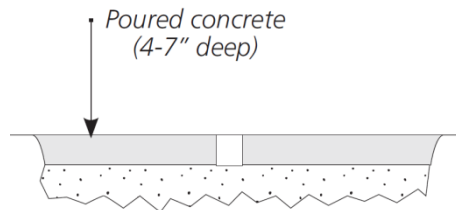
Installing into New Concrete

1.

Place corrosion resistant sleeve (min. 1.5" inside diameter) in sand pour bed in exact location where rack will be installed. Make sure top of sleeve is at same level as desired finished concrete surface. Fill sleeve with sand to keep it in place and prevent it from filling with concrete.

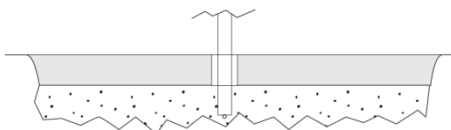


2. Pour concrete & allow to cure.



3.

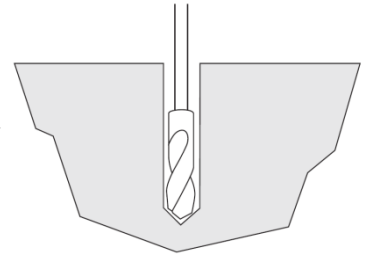
After appropriate cure time, dig out sand from sleeves and insert racks, making sure they are level and at the appropriate height. Pour in Por-Rok or epoxy grout and allow to set.



Installing into Existing Concrete

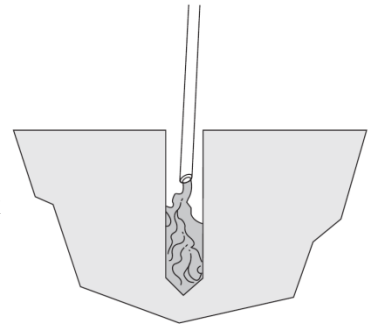
1.

Drill holes no less than 1.5" diameter and no less than 6" deep into sidewalk.



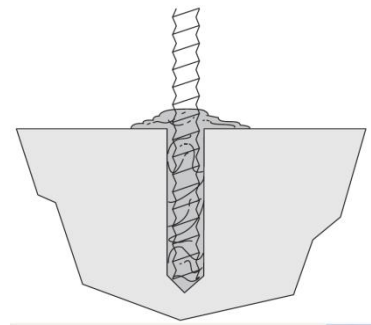
2.

Fill hole with Super Por Rok or epoxy grout 1/2 - 2/3 full starting from the bottom to prevent air bubbles.

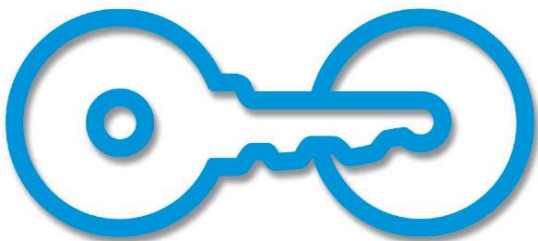
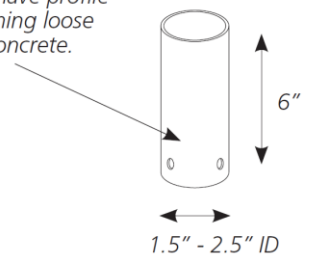


3.

Place Recycle Rack into holes, making sure the rack is level. Make sure the rack is level and held in place until the grout has set.



Note: Sleeve should have profile to keep it from coming loose from hardened concrete.



American Bicycle Security Company

P.O. Box 7359

Ventura, CA 93006

Ph: (800) 245-3723 or (805) 933-3688

Fax: (805) 933-1865

www.ameribike.com

Email: turtle@ameribike.com