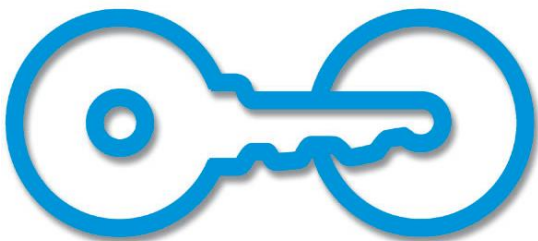
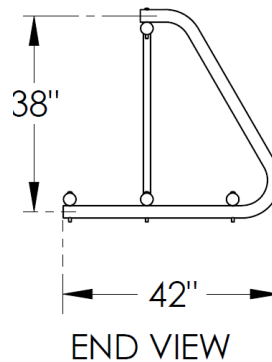
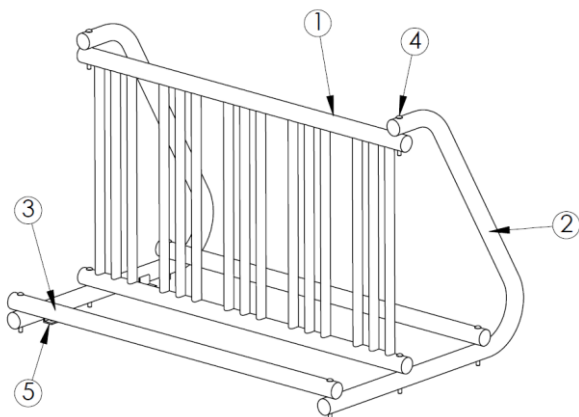




HDBR Rack

- Product** HDBR
- Capacity** HDBR-5: 8 bikes
HDBR-10: 18 bikes
HDBR-20: 36 bikes
- Size** HDBR-5: 5' Long
HDBR-10: 10' Long
HDBR-20: 20' Long
- Materials** *Reference these numbers when viewing diagram below.
1. Frame with 2 $\frac{3}{8}$ " OD rail and 1 $\frac{3}{8}$ " OD pickets
 2. End frames - 2 $\frac{3}{8}$ " OD
 3. Rail - 2 $\frac{3}{8}$ " OD
 4. 1/2" X 5 1/2" Carriage bolts with lock nuts
 5. 1 1/2" X 1 1/2" Angle clip for anchor
- Finishes** An after fabrication hot dipped galvanized finish is our standard option.
- Our powder coat finish assures a high level of adhesion and durability by following these steps:
1. Sandblast
 2. Epoxy primer electrostatically applied
 3. Final thick TGIC polyester powder coat



American Bicycle Security Company
P.O. Box 7359
Ventura, CA 93006
Ph: (800) 245-3723 or (805) 933-3688
Fax: (805) 933-1865
www.ameribike.com
Email: turtle@ameribike.com