



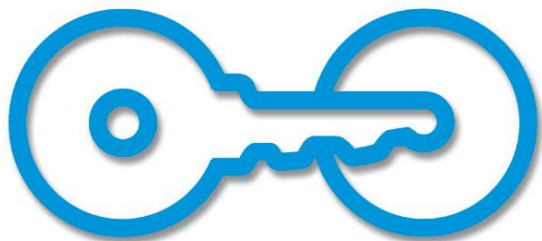
Compack Rack



Stack them!



The Compack Rack is a portable, stackable and u-lock compatible rack with an 8 bike capacity. With a slightly smaller profile than its bigger sibling, the Event Rack, the Compack Rack is well suited for children's bikes at parks and schools. When the Compack Racks are not in use, they stack atop each other for easy storage on a standard pallet.



American Bicycle Security Company

P.O. Box 7359

Ventura, CA 93006

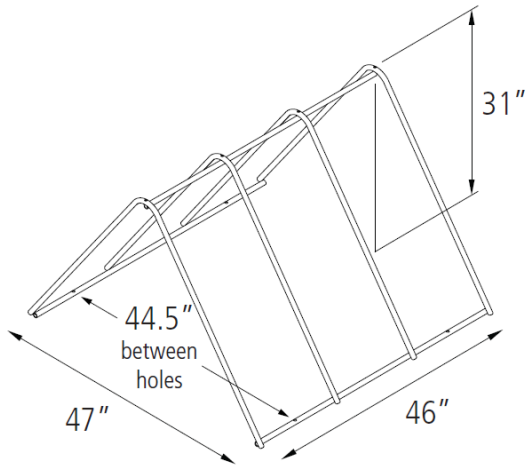
Ph: (800) 245-3723 or (805) 933-3688

Fax: (805) 933-1865

www.ameribike.com

Email: turtle@ameribike.com

Compack Rack



Product	Compack Rack
Capacity	8 Bikes
Materials	.75" Steel Tube
Finishes	A hot dipped galvanized finish after fabrication is standard.
Installation Methods	The Compack Rack is a freestanding unit that may also be bolted to the ground with 3/8" anchors for added security.
Space Use & Setbacks	The Compack Rack is 44.5"W x 46"L x 31"H. Each unit holds 8 bikes and can be stored on a standard pallet.

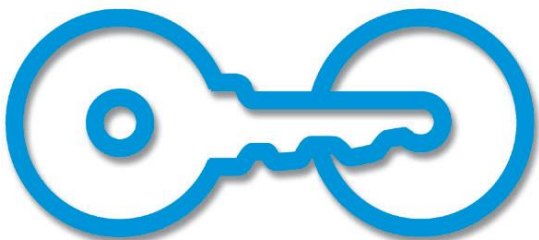
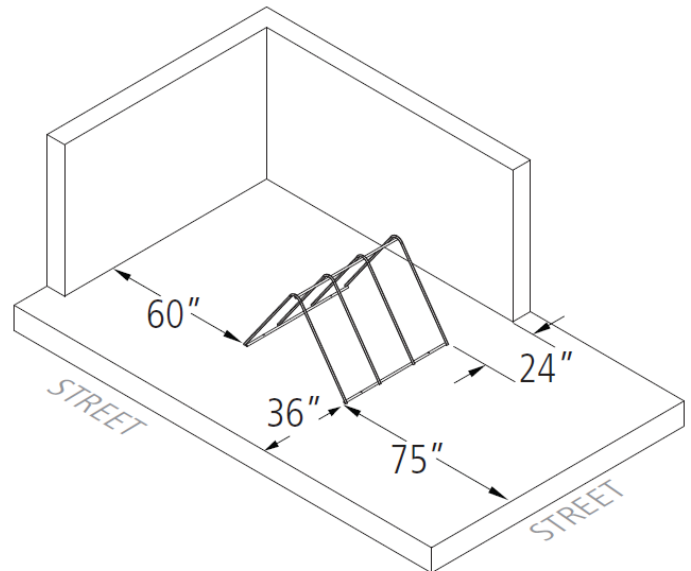
Wall Setback: A minimum of 60" should be left between the wall and the long side of the rack.

Street Setback: For racks set parallel to the street, a 75" setback is recommended. For racks installed perpendicular to the street, 24" is the minimum setback. 36" is recommended.

Between Racks: For racks set next to each other, 24" is the minimum setback. 36" is recommended.



Example of rack in use



American Bicycle Security Company

P.O. Box 7359

Ventura, CA 93006

Ph: (800) 245-3723 or (805) 933-3688

Fax: (805) 933-1865

www.ameribike.com

Email: turtle@ameribike.com