

BA/BAX Rack

Product BAX – Single Sided
BA – Double Sided

Capacity BAX-2: 2 bikes
BAX-5: 5 bikes
BAX-8: 8 bikes
BA-4: 4 bikes
BA-5: 5 bikes
BA-9: 9 bikes
BA-15: 15 bikes

Sizes

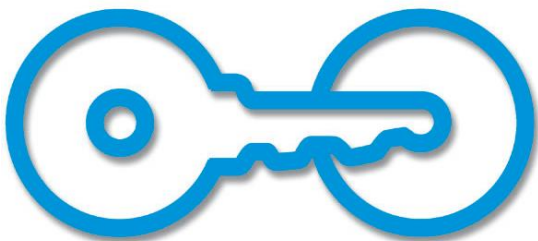
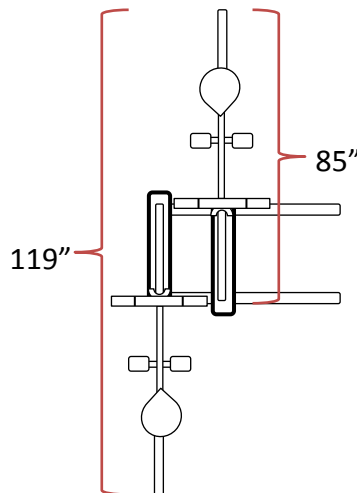
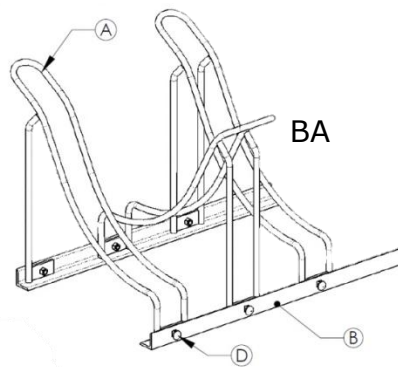
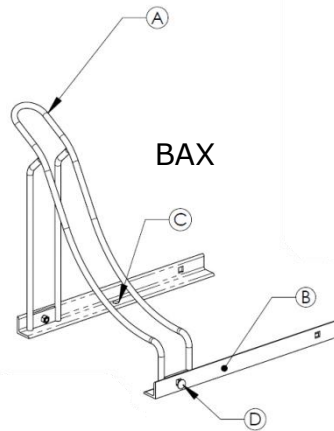
BAX-2	19"L	19 ³ / ₄ "W	20 ¹ / ₄ "H
BAX-5	67"L	19 ³ / ₄ "W	20 ¹ / ₄ "H
BAX-8	115"L	19 ³ / ₄ "W	20 ¹ / ₄ "H
BA-4	27"L	22"W	20 ¹ / ₄ "H
BA-5	35"L	22"W	20 ¹ / ₄ "H
BA-9	67"L	22"W	20 ¹ / ₄ "H
BA-15	115"L	22"W	20 ¹ / ₄ "H

Materials Holders are made from 1/2" diameter bar.
Runners are made from 1 1/2" X 1 1/2" X 3/16" angle

Finishes All parts are Hot-Dipped Galvanized after fabrication

- Assembly**
1. Attach bike rack holders (A) to angle runners (B) using 5/16" x 1" bolts (D).
 2. Depending on surface that the bike rack is installed upon, the proper anchors (C) must be installed. If on concrete, use self setting anchors. If on asphalt, it is recommended that a footing of 6" dia. x 10" deep be installed at each anchor hole. (Anchors are not included)

*Refer to diagram



American Bicycle Security Company
P.O. Box 7359
Ventura, CA 93006
Ph: (800) 245-3723 or (805) 933-3688
Fax: (805) 933-1865
www.ameribike.com
Email: turtle@ameribike.com