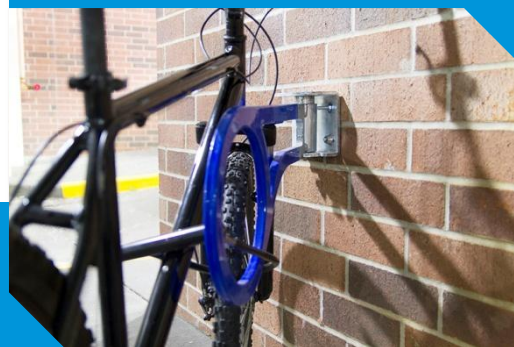
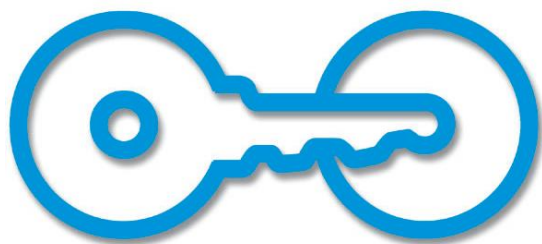




Alley Rack



The Alley Rack™ has been reincarnated, redesigned, and reengineered to be better than ever. The Alley Rack's™ arm swings a full 180°, offering a variety of locking positions to accommodate for limited space, and its 5/8" thick steel construction provides a strong deterrent to would-be thefts. Parks two bikes.



American Bicycle Security Company

P.O. Box 7359

Ventura, CA 93006

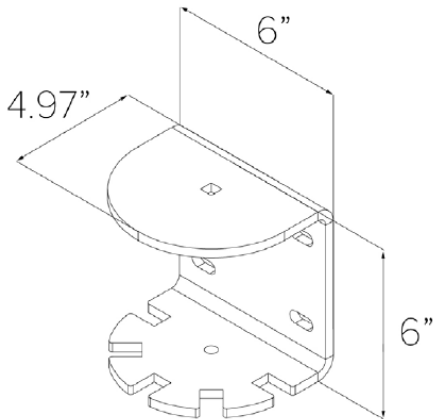
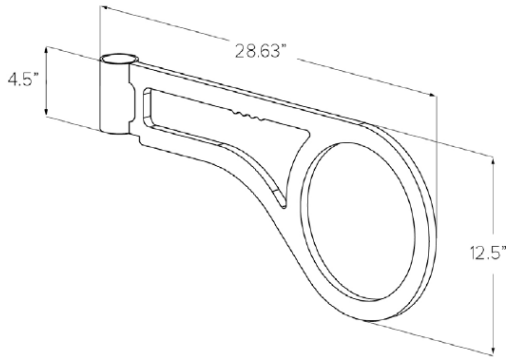
Ph: (800) 245-3723 or (805) 933-3688

Fax: (805) 933-1865

www.ameribike.com

Email: turtle@ameribike.com

Alley Rack



Example of rack in use

Product Alley Rack

Capacity 2 Bikes

Materials 2" x 2" x 3/16" square tube - mild steel
2" x 2" x 11g square tube - stainless steel

Finishes **Thermoplastic Coat ONLY.**
A thick (8-10mil) thermoplastic coat is applied over a galvanized finish

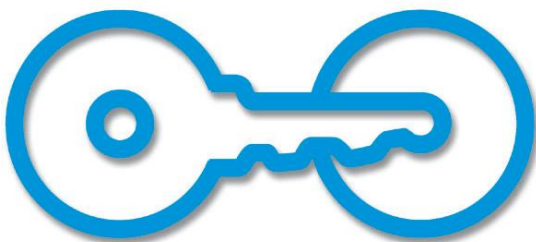
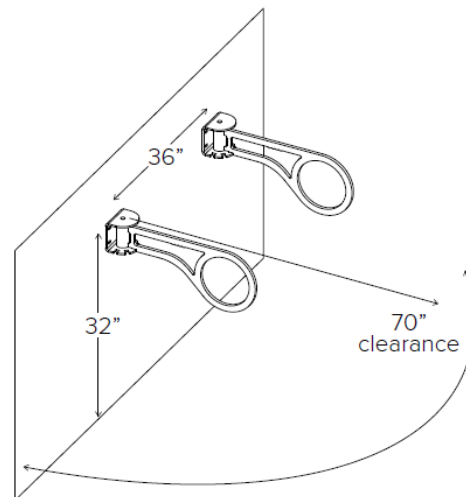


Installation Methods **Wall Mount ONLY.**
Wall mount bracket features four anchor holes for 3/8" bolts.

Space Use & Setbacks **Wall mounts**
The top of the base should be 32" off the ground.

Distance Between Racks
36" is the minimum distance between racks.

Clearance
When the Alley Rack is in use A 70" radius should be left clear around the rack



American Bicycle Security Company

P.O. Box 7359

Ventura, CA 93006

Ph: (800) 245-3723 or (805) 933-3688

Fax: (805) 933-1865

www.ameribike.com

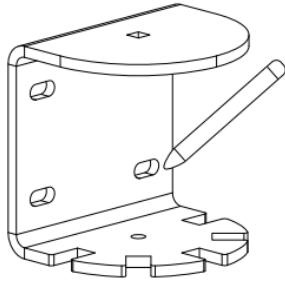
Email: turtle@ameribike.com



*Tools Needed for Installation

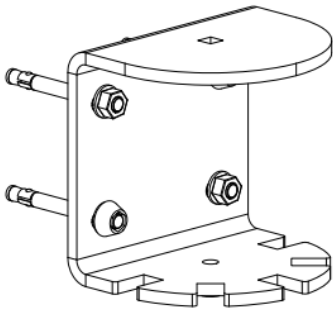
- 9/16" socket or wrench
- Hammer
- Drill (Hammer drill works best)
- Level
- Marker or Pencil

1



Place the Alley Rack base on the wall where it's to be installed with the top of the base 32" from the ground. Use the base as a template and mark the wall through the (4) mounting holes.

3

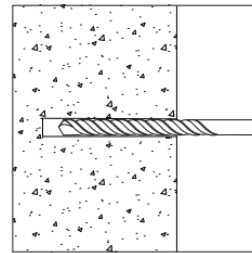


For solid concrete, hammer in the wedge anchors through the base and into the wall. Tighten (2) of the hex nuts and replace the other (2) hex nuts with Penta nuts and tighten. For hollow concrete, hammer the sleeve anchors directly into the wall. Tighten all (4) nuts until the anchors are set. Remove the nuts and place the base over the anchors. Tighten (2) hex nuts on the anchors and tighten (2) Penta nuts on the remaining anchors.

Recommended Base materials:

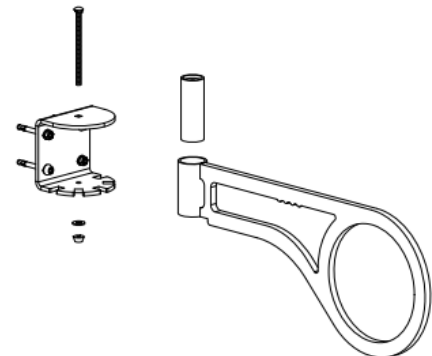
The Alley Rack must be mounted to a wall strong enough to accommodate repeated rack use and proper concrete anchor installation. For solid concrete walls a 3/8" x 3.75" wedge anchor will be used. For hollow concrete walls or hollow block concrete walls a 1/2" x 2.25" sleeve anchor will be used. Unsupported drywall and metal studs are not suitable.

2



For solid concrete, drill 3/8" diameter holes about 4" deep. For hollow concrete walls or hollow concrete block, drill 1/2" diameter holes through the wall. If the wall type is not known, drill 3/8" diameter holes. If the wall is solid then stop and use 3/8" wedge anchors. If the wall is hollow then use the 3/8" diameter holes as pilot holes for a 1/2" drill.

4



Place the Alley Rack base on the wall where it's to be installed with the top of the base 32" from the ground. Use the base as a template and mark the wall through the (4) mounting holes.

American Bicycle Security Company

P.O. Box 7359

Ventura, CA 93006

Ph: (800) 245-3723 or (805) 933-3688

Fax: (805) 933-1865

www.ameribike.com

Email: turtle@ameribike.com

