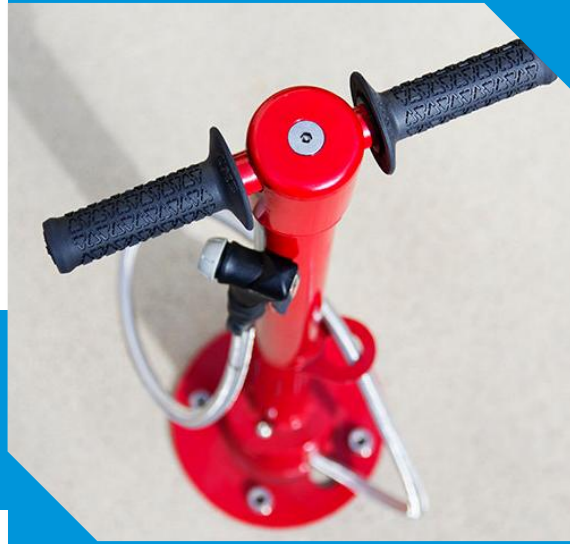
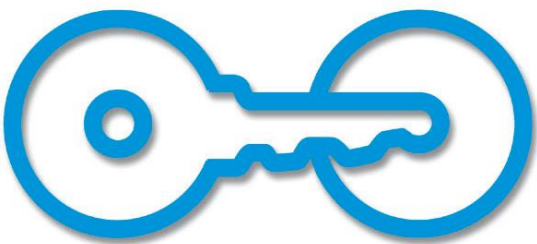




Air Kit 2



Finally, a bike pump for the people. The Air Kit 2 is specifically designed for the heavy duty use public bike pumps receive. A pump is only useful as long as it works, and the Air Kit 2 is built for the long haul. Minimal maintenance and a burly design ensure this pump will be ready when you need it.



American Bicycle Security Company

P.O. Box 7359

Ventura, CA 93006

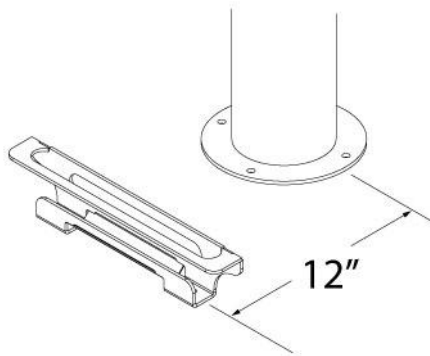
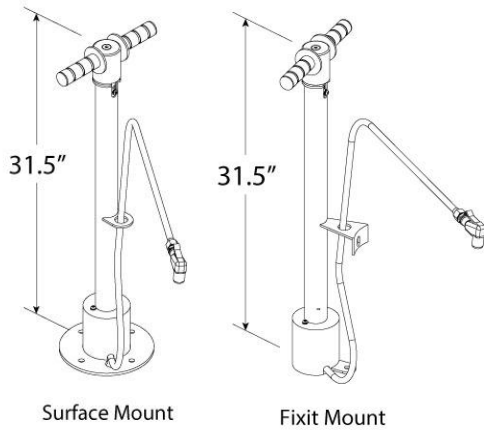
Ph: (800) 245-3723 or (805) 933-3688

Fax: (805) 933-1865

www.ameribike.com

Email: turtle@ameribike.com

Air Kit 2



An optional wheel catch is also available to hold bikes with no kick stands

Product Air Kit 2

Materials Main Body: 1.5" schedule 40 pipe
Manual air pump: Dero made
Foot: 1/4" steel

Finishes Standard options: Galvanized



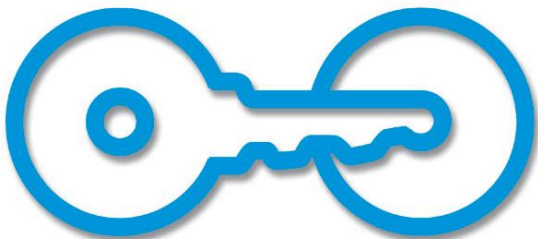
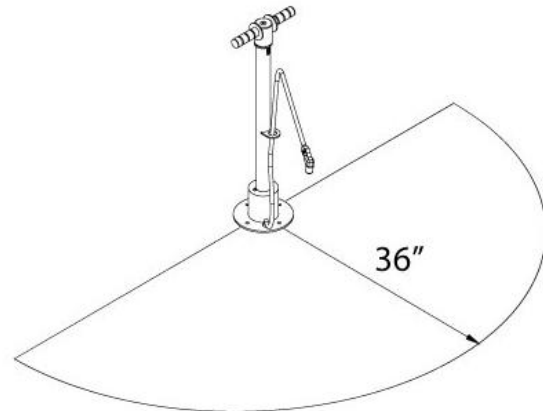
Powder Coated

| | | | | | |
|----------|------------|----------|----------|----------|---------------|
| RAL 9005 | Flat Black | RAL 9003 | RAL 2004 | RAL 1023 | Bright Yellow |
| RAL 6016 | RAL 6018 | RAL 6005 | RAL 5005 | RAL 5015 | Purple |
| RAL 7011 | RAL 7042 | RAL 9007 | RAL 1001 | RAL 8014 | Bronze |
| RAL 3003 | RAL 3005 | | | | |

Also available in Thermoplastic.

Installation Methods Surface Mount has 8" diameter x .25" flange with four anchoring holes for mounting with standard wedge anchors.

Space Use & Setbacks The Air Kit 2 should be installed at least 36" from any obstruction.



American Bicycle Security Company

P.O. Box 7359
Ventura, CA 93006
Ph: (800) 245-3723 or (805) 933-3688
Fax: (805) 933-1865
www.ameribike.com
Email: turtle@ameribike.com

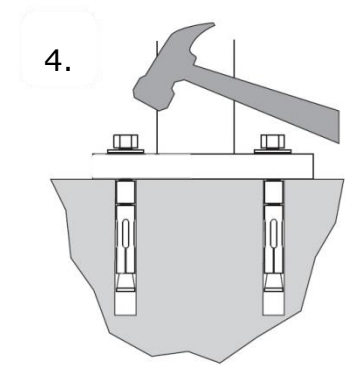
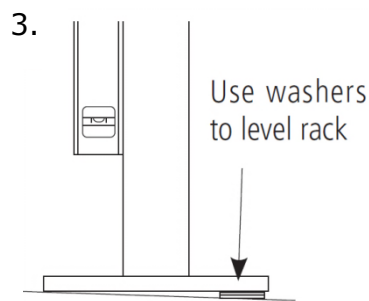
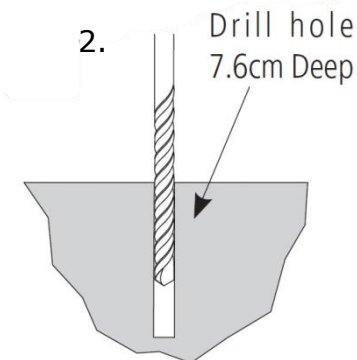
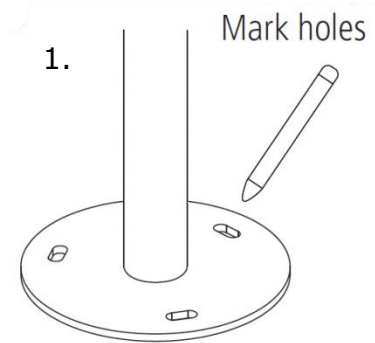


Tools Needed for Installation

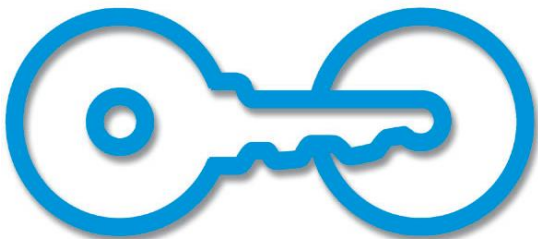
- Marker or Pencil
- Masonry Drill Bit 3/8"
- Drill (Hammer drill recommended)
- Hammer
- Wrench 9/16"
- Level

Instructions:

3/8" anchors are shipped with the pump. Place the pump in the desired location on the ground. Use a marker or pencil to outline the holes of the flange onto the base material. Drill the holes in accordance with the specifications shipped with the anchors. Make sure the holes are at least 3" away from any cracks in the base material. Use washers to level pump if necessary. Tap in anchors and follow your specific anchor instructions provided with the rack.

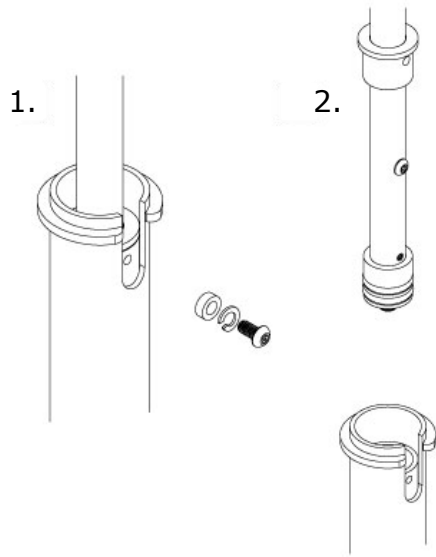


(Anchors will vary according to install surface)



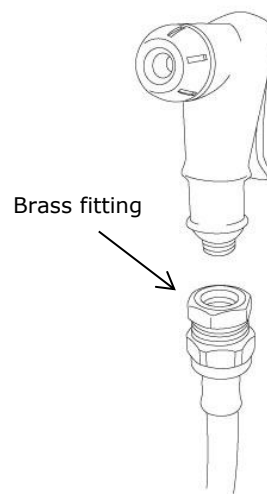


Please note: All threads for all parts of the pump are right-hand threads. They tighten clockwise, and loosen counterclockwise (“righty tighty, lefty loosey”). However, when you are looking top-down at a bolt that threads from underneath, if you move it counter-clockwise from your point of view, you are actually tightening, not loosening, the nut! This has led to some unnecessary breakage of pump parts. Be sure you are looking at the nut with the proper orientation before tightening or loosening.



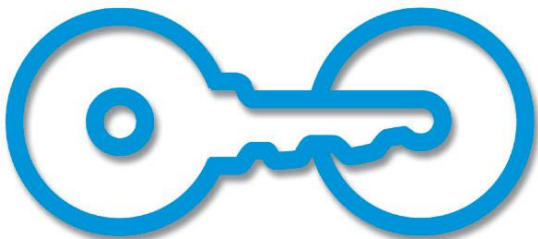
Maintenance:

1. Remove tamper-resistant screws, lock washer and spacer.
2. Plunger assembly may now be pulled out. To replace gaskets, pry old gaskets off and clean piston. Apply new silicone grease and install new gaskets. Apply more silicone grease to new gaskets. Re-assemble and wipe off excess grease when done.



Changing the Pumphead

Remove the black heat-shrink covering the base of the pumphead. Unscrew the pumphead from the Brass fitting by turning counterclockwise. You will need to keep the brass fitting for the new pumphead. Replace the pumphead. If you will be replacing the heat shrink then put the heat-shrink sleeve over the hose before replacing pumphead. Once pumphead is on, pull heat-shrink sleeve over the brass fitting and use a heat gun to shrink it.



American Bicycle Security Company

P.O. Box 7359

Ventura, CA 93006

Ph: (800) 245-3723 or (805) 933-3688

Fax: (805) 933-1865

www.ameribike.com

Email: turtle@ameribike.com